

# Wafer Check Tilting Type

Size 2" – 36" (DN 50 - 900 ) Carbon and Stainless Steel

---



## Fig. VRRT FULL BORE

CE



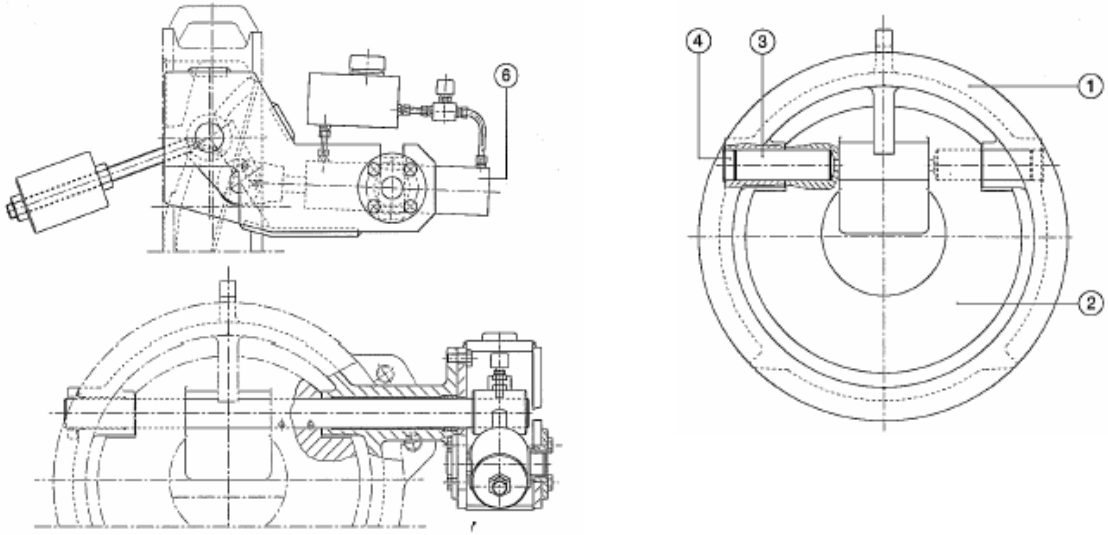
Comercial de Válvulas y Accesorios, S.A.  
Polígono Industrial Polizur, Calle Bosc Tancat, 6 Nave 2 y 3  
08290 Cerdanyola del valles ( Barcelona ) – Spain Tel. 93 586 36 00 Fax 93 586 36 04  
e-mail: [info@cva.es](mailto:info@cva.es)  
URL: [www.jlx-valve.com](http://www.jlx-valve.com)

Remark: The dimensions of this catalogue are for reference only and it can change without previous notice.

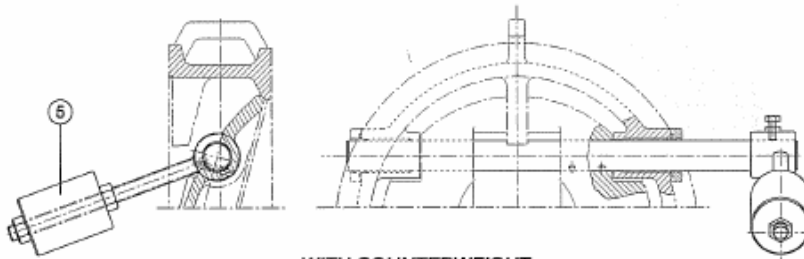
# Wafer Check Tilting Type

Size 2" – 36" (DN 50 - 900 ) Carbon and Stainless Steel

*Parts and materials*



**WITH HYDRAULIC SHOCK ABSORBER AND COUNTERWEIGHT**



**WITH COUNTERWEIGHT**

Item	Description	Material	Material
1	Body	A-216 WCB+304	CF8M
2	Disc	A-216 WCB+304	CF8M
3	Shaft	AISI 420	AISI 420
4	Cover	F-111	AISI 304
5	Counterweight	A°C° / CARBON STEEL	A°C° / CARBON STEEL
6	Hydraulic Shock Absorber		

Other materials to consult.

Comercial de Válvulas y Accesorios, S.A.

Polígono Industrial Polizur, Calle Bosc Tancat, 6 Nave 2 y 3

08290 Cerdanyola del valles ( Barcelona ) – Spain Tel. 93 586 36 00 Fax 93 586 36 04

e-mail: [info@cva.es](mailto:info@cva.es)

URL: [www.jlx-valve.com](http://www.jlx-valve.com)

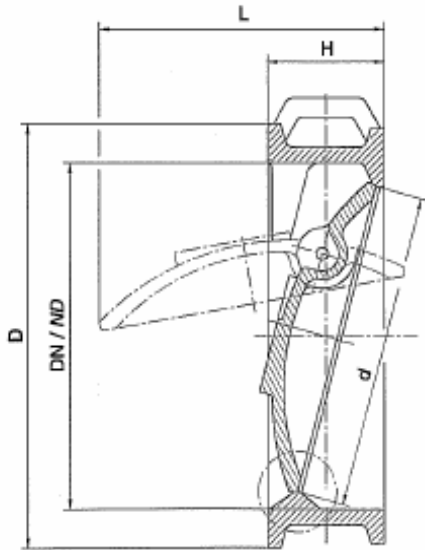
Remark: The dimensions of this catalogue are for reference only and it can change without previous notice.



# Wafer Check Tilting Type

Size 2" – 36" (DN 50 - 900 ) Carbon and Stainless Steel

*Dimensions and characteristics*



SIZE	d	H	L
2" (DN 50)	44	43	60
2"1/2 (DN65)	58	46	70
3" (DN80)	72	64	90
4" (DN100)	90	64	102
5" (DN125)	112	70	120
6" (DN150)	135	76	140
8" (DN200)	180	89	185
10" (DN250)	225	114	220
12" (DN300)	270	114	262
14" (DN350)	315	127	310
16" (DN400)	365	140	360
18" (DN450)	420	152	400
20" (DN500)	460	152	450
24" (DN600)	555	178	535
28" (DN700)	650	229	620
32" (DN800)	740	241	715
36" (DN900)	835	275	800

"D" according to rating

Note: Bigger sizes under request

## DESIGN FEATURES

Light- w eighted and compact design

Single plate and seat angled 55°

Nominal pressure (PN) 150 lbs-300 lbs (PN16-25)

Temperature range: -30°C to 500°C

Head loss low er than that of most any other check valve made.

Direction of flow : only one direction

Options: hydraulic shock absorber and counter w eight.

Comercial de Válvulas y Accesorios, S.A.

Polígono Industrial Polizur, Calle Bosc Tancat, 6 Nave 2 y 3

08290 Cerdanyola del valles ( Barcelona) – Spain Tel. 93 586 36 00 Fax 93 586 36 04

e-mail: [info@cva.es](mailto:info@cva.es)

URL: [www.jlx-valve.com](http://www.jlx-valve.com)

Remark: The dimensions of this catalogue are for reference only and it can change without previous notice.

