

General Utility Service Needle Valves



3000 & 6000 TYPE



Comercial de Válvulas y Accesorios, S.A.
Polígono Industrial Polizur, Calle Bosc Tancat, 6 Nave 2 y 3
08290 Cerdanyola del valles (Barcelona) – Spain Tel. 93 586 36 00 Fax 93 586 36 04
e-mail: info@cva.es
URL: www.jlx-valve.com

Remark: The dimensions of this catalogue are for reference only and it can change without previous notice.

General Utility Service Needle Valves

GENERAL CHARACTERISTICS

- Straight and angled patterns.
- Pressures up to 6000 psig (413 bar).
- Temperatures up to 400°C.
- Non-rotating, hardened needle design for leak-tight shutoff and long service life.
- Safety back seating needle design seals in fully open position.

CONNECTIONS

Manufactured from ¼" to 2", threaded according the following:

NPT, according ANSI B2.1

BSP, according DIN 259

RATING

Type 3000

TEMPERATURE °C (°F)	AC TYPE	SS TYPE	LA TYPE
	CARBON STEEL	STAINLESS STEEL	
BAR (PSI)			
from -29 to 38 (-20 to 100)	255 (3700)	248 (3600)	153 (2220)
200 (392)	-	-	132 (1915)
400 (752)	172 (2495)	145 (2104)	-

MATERIALS

Manufactured in three standard materials:

AC Type. In Carbon Steel UNE36011

SS Type. In Stainless Steel 316 Type

LA Type. In Brass DIN 17660 (only in 3000 Type).

In all the cases the stem and the tip are made of Stainless Steel 316.

PACKING

Graphite packing or PTFE. Under request we can manufacture valves in Hastelloy, Duplex, Superduplex, Monel in a short delivery time.

Type 6000

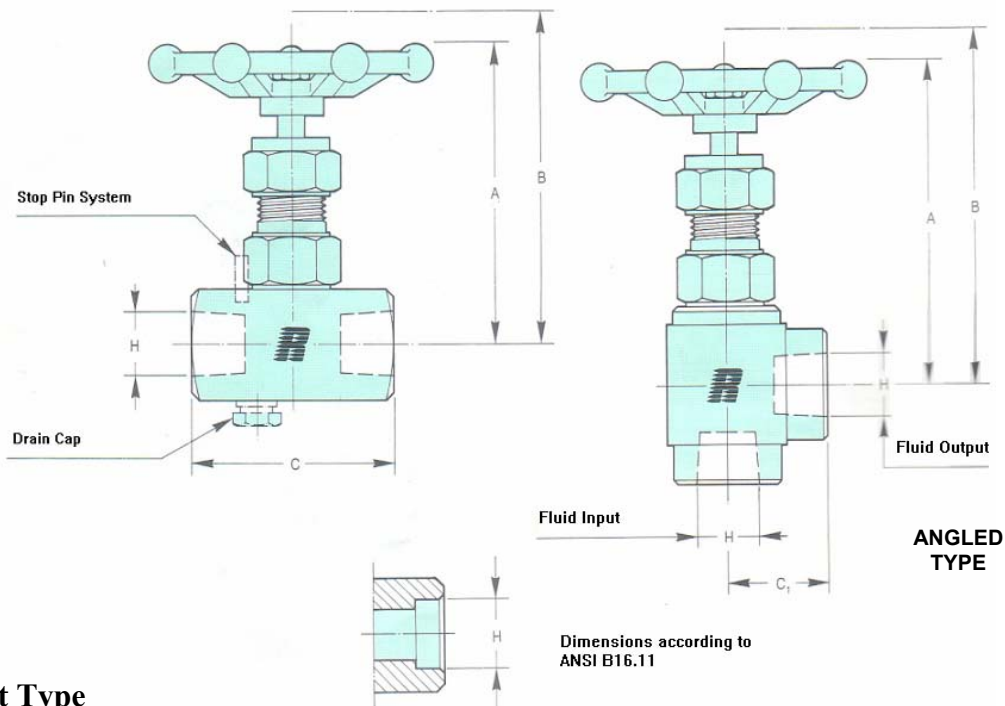
TEMPERATURE °C (°F)	AC TYPE	SS TYPE
	CARBON STEEL	STAINLESS STEEL
BAR (PSI)		
from -29 to 38 (-20 to 100)	425 (6166)	414 (6000)
400 (752)	287 (4164)	242 (3511)

OPTIONS

- Valves with open indicator
- High temperature valves up to 650°C (1202°F)
- Cryogenic valves up to -100°C (-148°F)
- High Pressure Valves up to 700 bar (10145 psi)



General Utility Service Needle Valves 3000 Type



Straight Type

CONNECTION H	BORE mm	Kv	A	B	C	C1	THREAD NPT CODE	THREAD BSP CODE	SW ENDS CODE
1/4	7	0,7	81	88	50	-	3000.02.NP	3000.02.BP	3000.02.SW
3/8	9	1,4	84	91	55	-	3000.03.NP	3000.03.BP	3000.03.SW
1/2	12	2,3	97	106	65	-	3000.04.NP	3000.04.BP	3000.04.SW
3/4	14	2,9	115	125	75	-	3000.05.NP	3000.05.BP	3000.05.SW
1	16	4,5	130	141	90	-	3000.06.NP	3000.06.BP	3000.06.SW
1 1/4	18	4,8	140	155	100	-	3000.07.NP	3000.07.BP	3000.07.SW
1 1/2	21	6	185	205	125	-	3000.08.NP	3000.08.BP	3000.08.SW
2	21	6,8	185	205	125	-	3000.09.NP	3000.09.BP	3000.09.SW

Angled Type

CONNECTION H	BORE mm	Kv	A	B	C	C1	CODE THREAD NPT	CODE THREAD BSP	CODE SW ENDS
1/4	7	0,7	83	90	-	25	3100.02.NP	3100.02.BP	3100.02.SW
3/8	9	1,4	86	93	-	28	3100.03.NP	3100.03.BP	3100.03.SW
1/2	12	2,3	99	108	-	33	3100.04.NP	3100.04.BP	3100.04.SW
3/4	14	2,9	118	128	-	38	3100.05.NP	3100.05.BP	3100.05.SW
1	16	4,5	133	144	-	45	3100.06.NP	3100.06.BP	3100.06.SW

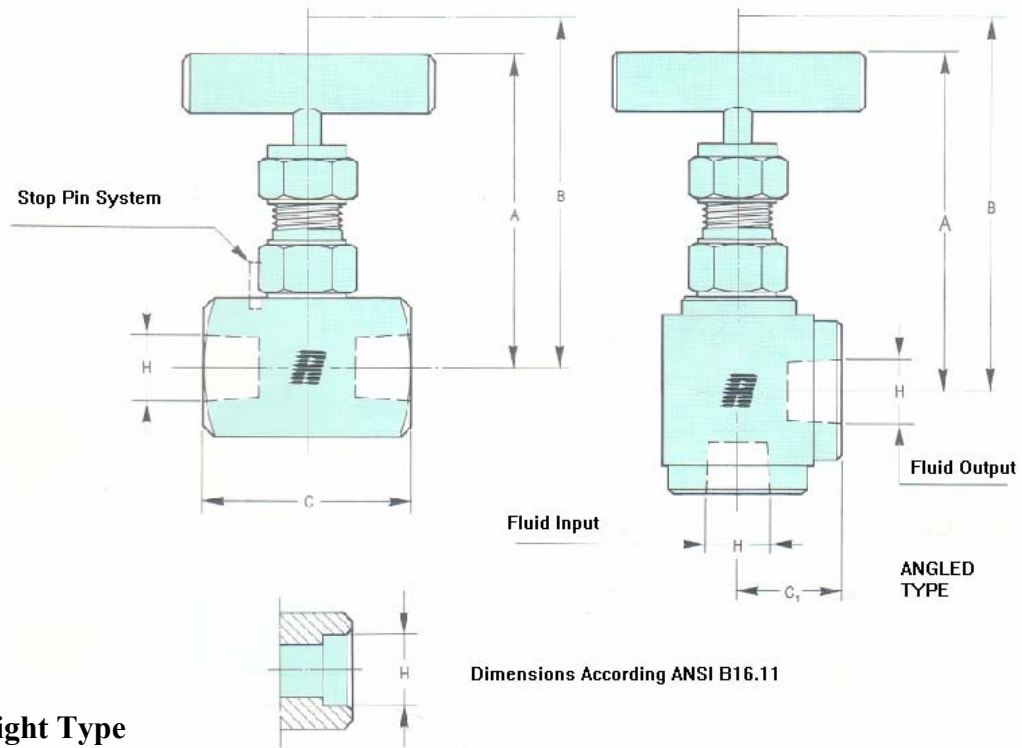
(*)Dimensions in mm



Comercial de Válvulas y Accesorios, S.A.
 Polígono Industrial Polizur, Calle Bosc Tancat, 6 Nave 2 y 3
 08290 Cerdanyola del valles (Barcelona) – Spain Tel. 93 586 36 00 Fax 93 586 36 04
 e-mail: info@cva.es
 URL: www.jlx-valve.com

Remark: The dimensions of this catalogue are for reference only and it can change without previous notice.

General Utility Service Needle Valves 6000 Type



Straight Type

CONNECTION H	BORE mm	Kv	A	B	C	C1	THREAD NPT CODE	THREAD BSP CODE	SW ENDS CODE
1/4	7	0,7	83	88	50	-	6000.02.NP	6000.02.BP	6000.02.SW
3/8	7	0,7	86	91	55	-	6000.03.NP	6000.03.BP	6000.03.SW
1/2	9	1,4	88	106	65	-	6000.04.NP	6000.04.BP	6000.04.SW
3/4	12	2,3	100	125	75	-	6000.05.NP	6000.05.BP	6000.05.SW
1	12	2,3	103	141	90	-	6000.06.NP	6000.06.BP	6000.06.SW

Angled Type

CONNECTION H	BORE mm	Kv	A	B	C	C1	THREAD NPT CODE	THREAD BSP CODE	SW ENDS CODE
1/4	7	0,7	84	91	-	25	6100.02.NP	6100.02.BP	6100.02.SW
3/8	7	0,7	87	94	-	28	6100.03.NP	6100.03.BP	6100.03.SW
1/2	9	1,4	89	96	-	33	6100.04.NP	6100.04.BP	6100.04.SW
3/4	12	2,3	102	111	-	38	6100.05.NP	6100.05.BP	6100.05.SW
1	12	2,3	105	114	-	45	6100.06.NP	6100.06.BP	6100.06.SW

(*)Dimensions in mm



Comercial de Válvulas y Accesorios, S.A.
 Polígono Industrial Polizur, Calle Bosc Tancat, 6 Nave 2 y 3
 08290 Cerdanyola del valles (Barcelona) – Spain Tel. 93 586 36 00 Fax 93 586 36 04
 e-mail: info@cva.es
 URL: www.jlx-valve.com

Remark: The dimensions of this catalogue are for reference only and it can change without previous notice.