

Ball Valves PN 6 AIT Type DN 50-200 (2" – 8") Carbon Steel



SERIES 420 REDUCED BORE

Face to face dimensions Manufacturer´s Standard

Manufacturing program:



Quality & Environmental Management:

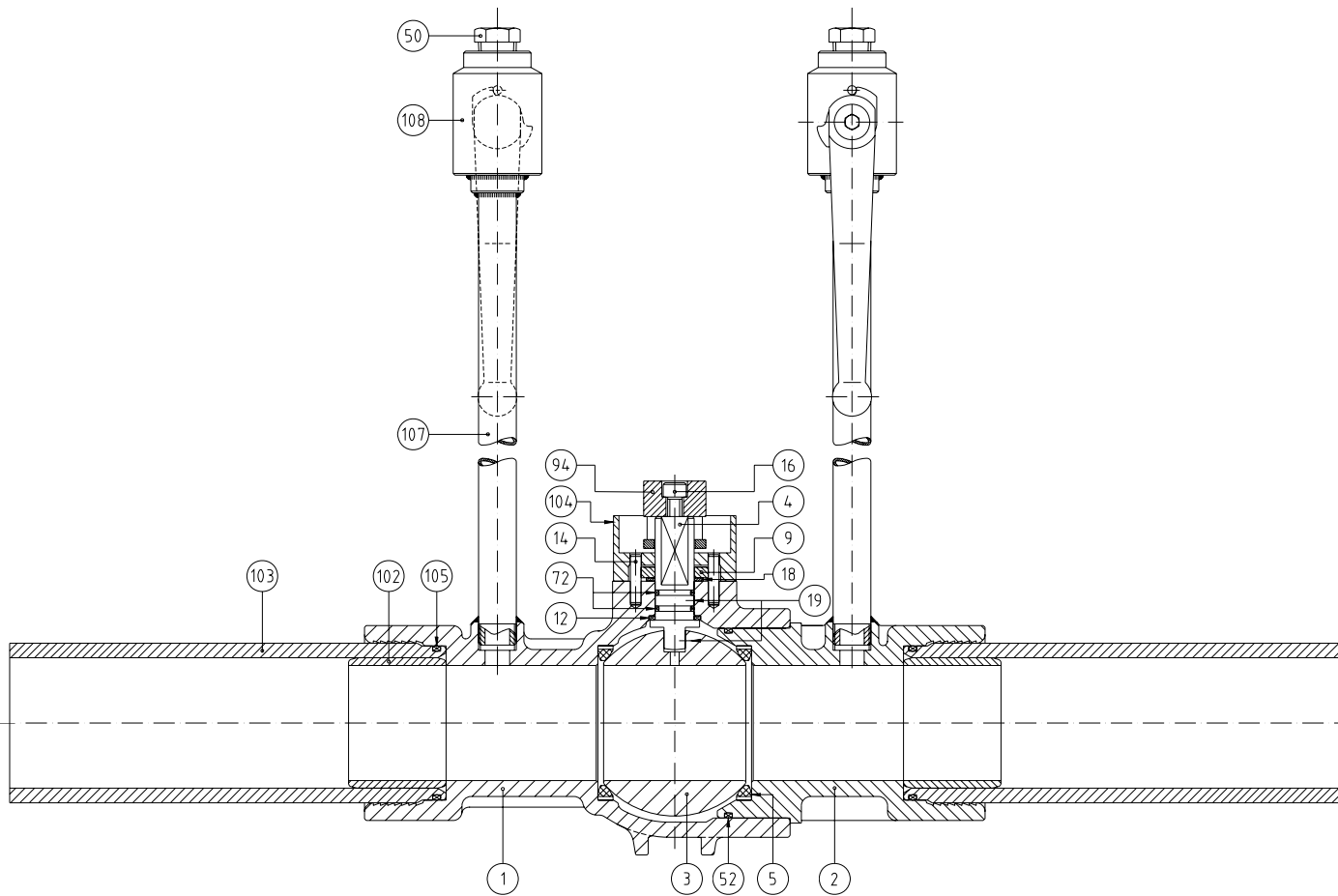


Comercial de Válvulas y Accesorios, S.A.
Polígono Industrial Polizur, Calle Bosc Tancat, 6 Nave 2 y 3
08290 Cerdanyola del valles (Barcelona) – Spain Tel. 34 93 586 36 00 Fax 34 93 586 36 04
e-mail: info@cva.es
URL: www.jlx-valve.com

Remarks: The dimensions of this catalogue are for reference only and it can change without previous notice

Ball Valves PN 6 AIT Type

Parts and materials

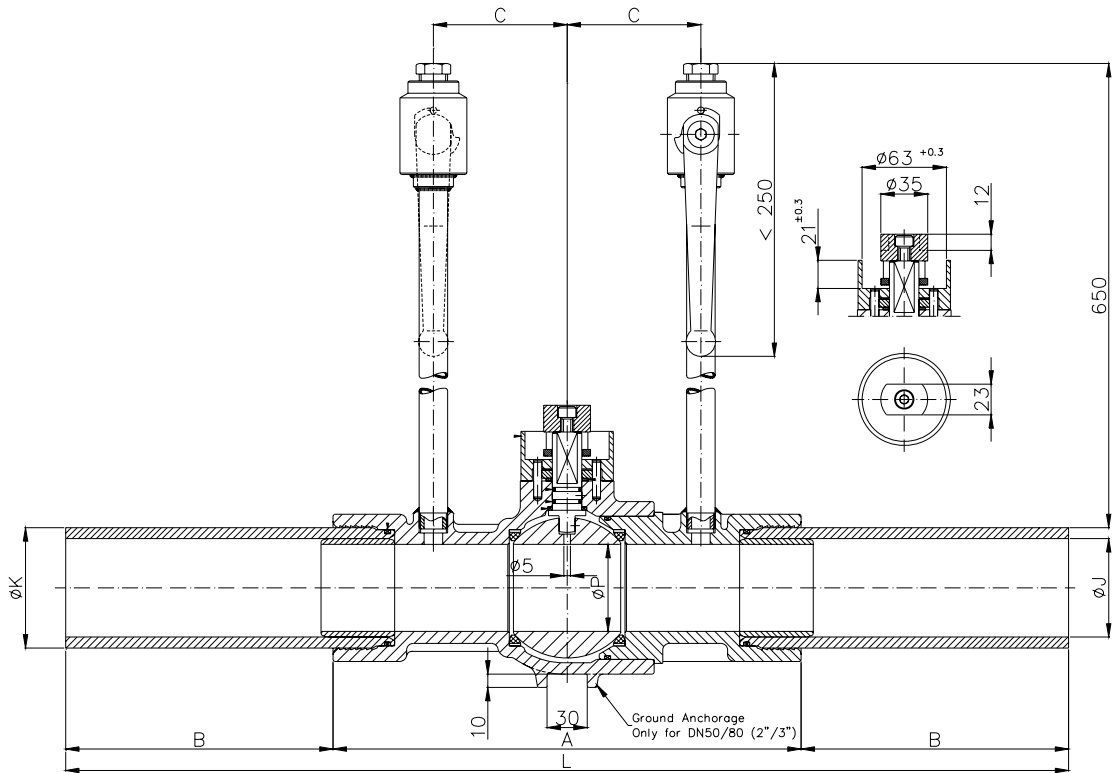


Item	Description	Material	ITEM	DESCRIPTION	MATERIAL
1	Body	A 216 Gr. WCB (A 105)	50	Drain Plug	A 105
2	Body connector	A 216 Gr. WCB (A 105)	52	O Ring	Buna-N
3	Ball	A 217 Gr. CA 15	72	O Ring	Buna-N
4	Stem	AISI-303	94	Coupling	Carbon St.
5	Seat ring	PTFE	102	Carrier	Carbon St.
9	Stop plate	Carbon St.	103	Tube	Polyethylene SDR.11 (MDPE)
12	Stem thrust seal	25% G.F. PTFE	104	Guard Tube Plate	PVC
14	Stop pin	Carbon St.	105	O Ring	Buna-N
16	Bolt	DIN-912 8.8 Zinc plated	107	Vent Tube	ASTMA 106 Grade A
18	Thrust washer	25% G.F. PTFE	108	Vent Valve	Fig. 411 AIT
19	Antistatic device	Stainless St.			



Ball Valves PN 6 AIT Type

Dimensions



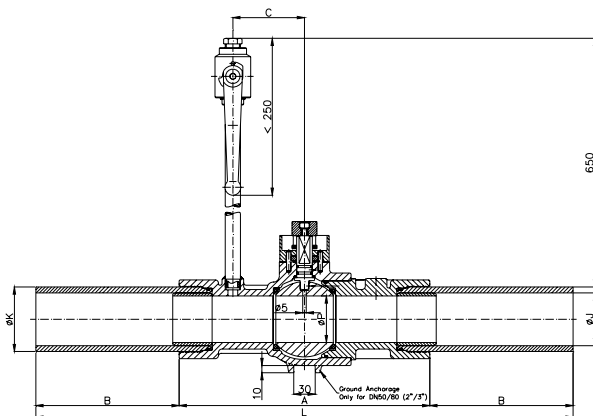
Valve with 2 vent valves

DN	L	A	B	ØP	ØJ	ØK	C	ØTUBE SHED.80	VENT VALVE	WEIGHT
50 (2")	696	296	200	40	51,4	63	82	1/2"	1/2"	13,5
80 (3")	750	350	200	65	73,6	90	100	1/2"	1/2"	24,8
100 (4")	1410	410	500	80	90	110	111	1/2"	1/2"	36
150 (6")	1510	510	500	125	130,8	160	155	1"	1"	79,5
200 (8")	1600	600	500	151	163,6	200	180	1"	1"	136

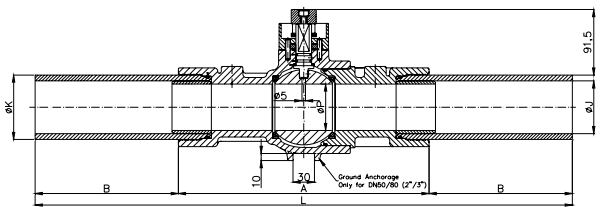
(*) Dimensions in mm and weight in kg.

OTHER CONSTRUCTIONS

Valve with 1 vent valve



Valve without vent valve



Comercial de Válvulas y Accesorios, S.A.
 Polígono Industrial Polizur, Calle Bosc Tancat, 6 Nave 2 y 3
 08290 Cerdanyola del valles (Barcelona) – Spain Tel. 34 93 586 36 00 Fax 34 93 586 36 04
 e-mail: info@cva.es
 URL: www.jlx-valve.com

Remarks: The dimensions of this catalogue are for reference only and it can change without previous notice

Ball Valves PN 6 AIT Type

General Characteristics, P&T Rating, Torque

GENERAL CHARACTERISTICS	Fig.420, Serie PFR	P olyethylene	F loating	R educed
DESIGN STANDARDS				
Valves design	NT-020-GN			
Body design				
Shell thickness	BS 5351			
End to end dimensions	MANUFACTURER'S STD.			
Actuator mounting piece	NT-020-GN			
Shell finishing quality	MSS SP 55			
Marking	DIN EN 19	NT-020-GN	CE	
TESTS AND CERTIFICATES				
Quality Assurance	ISO 9001	NT-020-GN		
Other	ISO 14001			

Torque Values in Nm

VALVE SIZE	AT DIFFERENTIAL PRESSURE				
	6 bar				
50 (2")	8				
80 (3")	30				
100 (4")	40				
150 (6")	60				
200 (8")	110				

Pressure-Temperature

