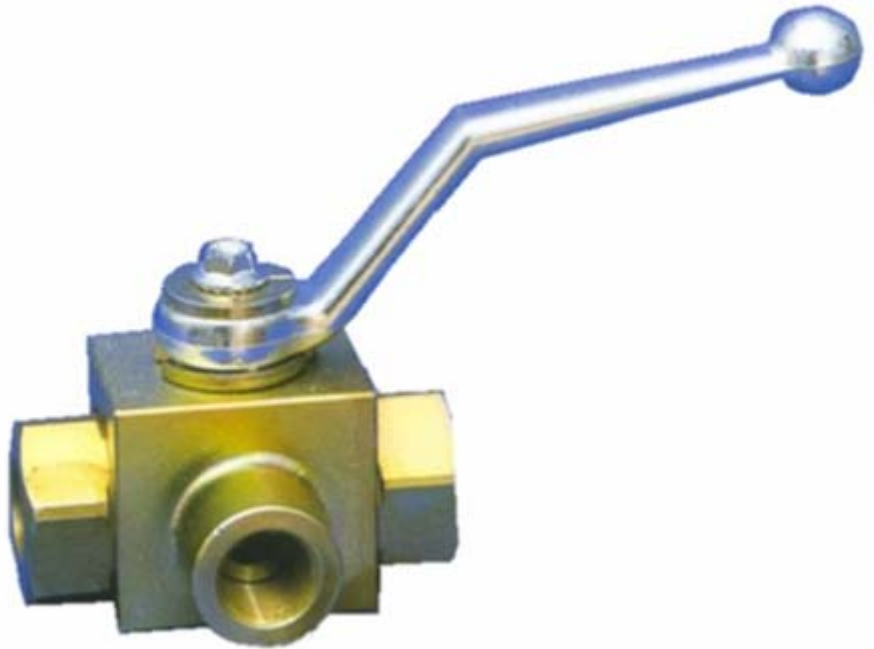


# Ball Valve 3 ways High Pressure Type

Size 1/8" – 1" Carbon and Stainless Steel

---



## **SERIES 20 FULL BORE**



Comercial de Válvulas y Accesorios, S.A.  
Polígono Industrial Polizur, Calle Bosc Tancat, 6 Nave 2 y 3  
08290 Cerdanyola del valles ( Barcelona) – Spain Tel. 93 586 36 00 Fax 93 586 36 04  
e-mail: [info@cva.es](mailto:info@cva.es)  
URL: [www.jlx-valve.com](http://www.jlx-valve.com)

Remark: The dimensions of this catalogue are for reference only and it can change without previous notice.

# Ball Valve 3 ways High Pressure Type

## GENERAL CHARACTERISTICS

Ball Valves three ways manufactured from Barstock for pressures up to 400 bar. Recommended for hydraulic, pneumatic and steam facilities.

## CONNECTIONS

Manufactured from 1/8" to 1", threaded according the following:

NPT, according ANSI B2.1

BSP, according DIN 259

BSPT, according DIN 2999

Also manufactured with double ferrule connections.

## MATERIALS

Manufactured in :

AC Type. In Carbon Steel UNE 36011

SS Type. In Stainless Steel 316 Type

Under request we can manufacture valves in Hastelloy, Duplex, Superduplex, Monel in a short delivery time.

Carbon Steel Ball Valves are Yellow zinc passivated finish.

### MAXIMUM AND MINIMUM ADMISSIBLE WORKING TEMPERATURES FOR SEAL

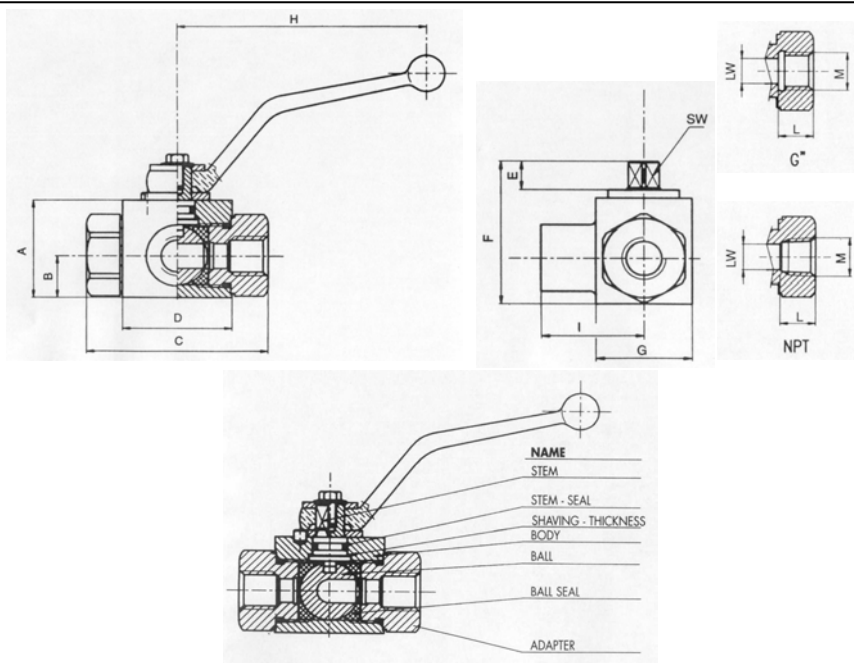
POM	-30° a +100°
NBR	-30° a +100°
RPTFE	-220° a +230°
PEEK	-50° a +250°
VITON	-25° a +200°
EPDM	-50° a +150°
PA612	-45° a +145°
GEMPTFE	-200° a +150°
HNBR	-40° a +150°

### MATERIAL DESCRIPTION

Body	9 SMnPb 36	AISI 316 L
Ball	9 SMnPb 36	AISI 316 L
Stem	9 SMnPb 36	AISI 316 L
Pipe fitting	9 SMnPb 36	AISI 316 L
Ball seal	POM	POM
Stem seal	NBR	NBR
Pipe fit. seal	NBR	NBR



# Ball Valve 3 ways High Pressure Type



## FEMALE GAS DIN/ISO 228

TYPE	DN	PN	A	B	C	D	E	F	G	H	I	L	M	SW	LW	Kg
1/8"	4	400 bar	35	14	71	42	11	49	30	110	33,5	11	G 1/8"	9	4	0,5
1/4"	6	400 bar	35	14	71	42	11	49	30	110	33,5	16	G 1/4"	9	6	0,5
3/8"	10	400 bar	40	17	73	44	11	54	35	110	37	16	G 3/8"	9	10	0,7
1/2"	13	350 bar	43	18	83	48	11	57	37	110	40	17	G 1/2"	9	13	0,8
3/4"	20	350 bar	55	23	95	62	13	73	45	180	52	21	G 3/4"	14	20	1,5
1"	25	350 bar	65	29	112	66	13	83	55	180	60	24	G 1"	14	25	2,35

## FEMALE NPT ANSI B 1.20.1

TYPE	DN	PN	A	B	C	D	E	F	G	H	I	L	M	SW	LW	Kg
1/8"	4	5800 psi	35	14	71	42	11	49	30	110	33,5	11	N 1/8"	9	4	0,5
1/4"	6	5800 psi	35	14	71	42	11	49	30	110	33,5	16	N 1/4"	9	6	0,5
3/8"	10	5800 psi	40	17	73	44	11	54	35	110	37	16	N 3/8"	9	10	0,7
1/2"	13	5075 psi	43	18	83	48	11	57	37	110	40	17	N 1/2"	9	13	0,8
3/4"	20	5075 psi	55	23	95	62	13	73	45	180	52	21	N 3/4"	14	20	1,5
1"	25	5075 psi	65	29	112	66	13	83	55	180	60	24	N 1"	14	25	2,35



Comercial de Válvulas y Accesorios, S.A.  
 Polígono Industrial Polizur, Calle Bosc Tancat, 6 Nave 2 y 3  
 08290 Cerdanyola del valles ( Barcelona) – Spain Tel. 93 586 36 00 Fax 93 586 36 04

e-mail: [info@cva.es](mailto:info@cva.es)  
 URL: [www.jlx-valve.com](http://www.jlx-valve.com)

Remark: The dimensions of this catalogue are for reference only and it can change without previous notice.