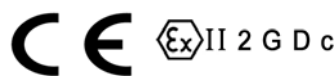


Gate Valves Type Bolted Bonnet PN-40 DN 40-400 Carbon Steel & Stainless Steel



Fig. VC40BB

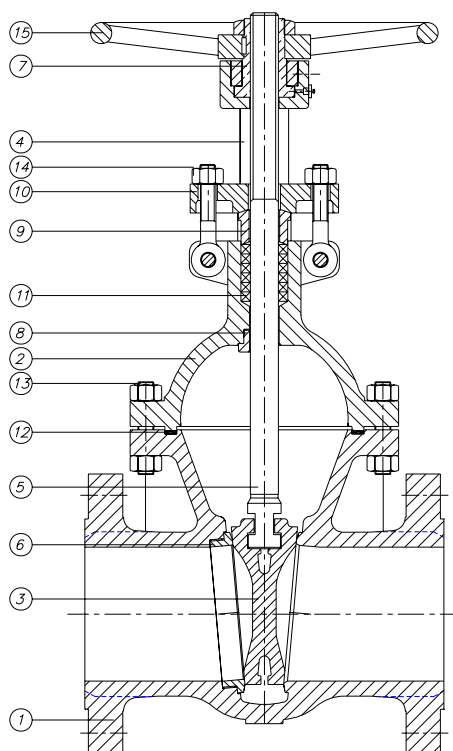
Design:
ISO 10434



Gate Valves PN40

Type Bolted Bonnet

Parts and materials

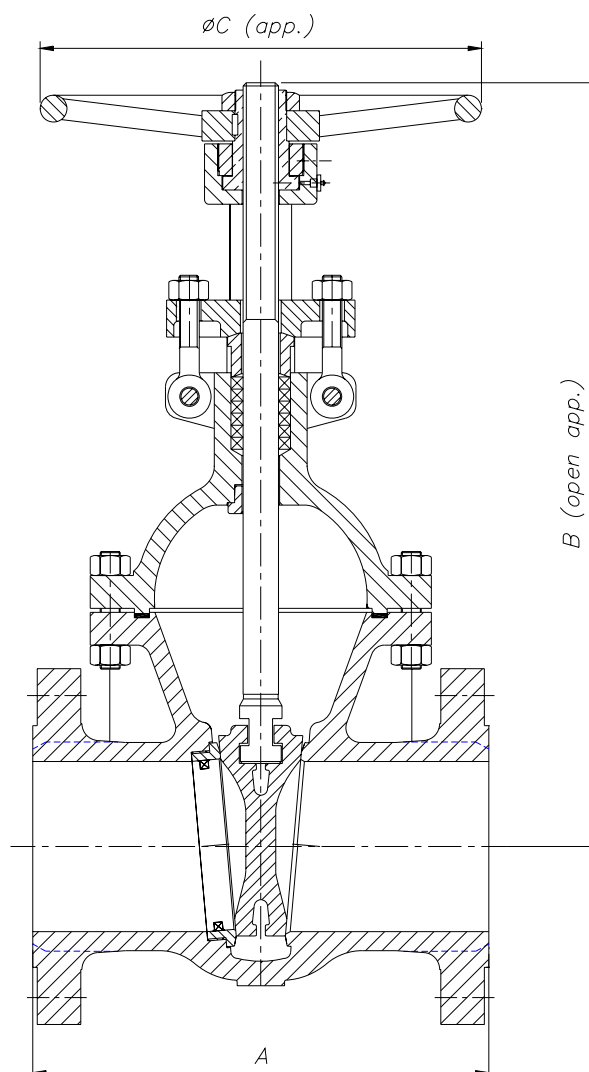


Item	Description	Material	
		Carbon Steel	Stainless Steel
1	Body	1,0619	1,4408
2	Bonnet	1,0619	1,4408
3	Wedge	GX 25 Cr 14 (13 Cr) (2)	Integral
4	Yoke	1,0619	1,4408
5	Stem	X10 Cr 13 (13Cr)	1,4401
6	Seat Ring	GX 25 Cr 14 (13 Cr) (1)	1,4408
7	Stem Nut	1,1151	1,4301
8	Backseat	1,4301	1,4401
9	Gland	1,1151	Integral
10	Gland Flange	1,1151	1,4408
11	Stem Packing	Graphited	Graphited
12	Gasket	Graphited	Graphited
13	Bonnet Bolt & Nut	1,7258	1,4301
14	Eye Bolt & Nut	1,7258	1,4301
15	Handwheel	0,7040	0,7040
(1) DN 200 and larger		1,0619 +013Cr	
(2) DN 200 and larger		1,1151 +013Cr	

Gate Valves PN 40

Type Bolted Bonnet

Dimensions



DN	A	B	ØC	WEIGHT
40	240	315	180	14
50	250	385	180	18
65	290	415	200	30
80	310	475	225	40
100	350	550	250	50
125	400	680	320	85
150	450	740	360	110
200	550	850	400	210
250	650	1095	450	300
300	750	1290	500	420
350	850	1690	560	650
400	950	1885	640	950

(*) Dimensions in mm and weight in kg.

Gate Valves PN40

Type Bolted Bonnet

General Characteristics, Cv, P&T Rating

GENERAL CHARACTERISTICS	Fig. VC40BB
DESIGN STANDARDS	
Valves design	ISO 10434
End to End Dimensions	ISO 5752
Flanged Dimensions	ISO 7005-1 Part. 1
Visual Inspection	MSS SP- 55
Marking	ISO 5209
TESTS AND CERTIFICATES	
Pressure testing	ISO 5208
Others	ATEX, CE

Cv Values in U.S. Gallons/min.

65	450	350	15100
80	620	400	20300
100	1160	450	25000
125	1900	500	32500
150	2700	550	40000
200	5100	600	48500
250	8050		

Pressure-Temperature (STANDARD CLASS According ISO 7005-1)

Temp °C	MATERIAL	
	1,0619 Bar	1,4408 Bar
0-20	40,0	36,4
50	40,0	34,8
100	40,0	31,5
150	39,2	28,8
200	38,0	26,1
250	36,0	24,4
300	32,0	22,6
350	28,0	21,3
400	22,0	20,4
425	18,0	19,9
450		19,9
500		19,6



Comercial de Válvulas y Accesorios, S.A.
 Polígono Industrial Polizur, Calle Bosc Tancat, 6 Nave 2 y 3
 08290 Cerdanyola del valles (Barcelona) – Spain Tel. 93 586 36 00 Fax 93 586 36 04
 e-mail: info@cva.es
 URL: www.cva.es

Nota: Las medidas del presente catalogo son orientativas y pueden variar sin previo aviso