

**One Piece Ball Valves**  
**1000 WOG (69 bar)**  
Size 1/4" – 2" (DN 10 - 50) Stainless Steel

---



**Fig. 160**  
**REDUCED BORE**

**Threaded according:**  
**DIN 259/2999 (GAS)**



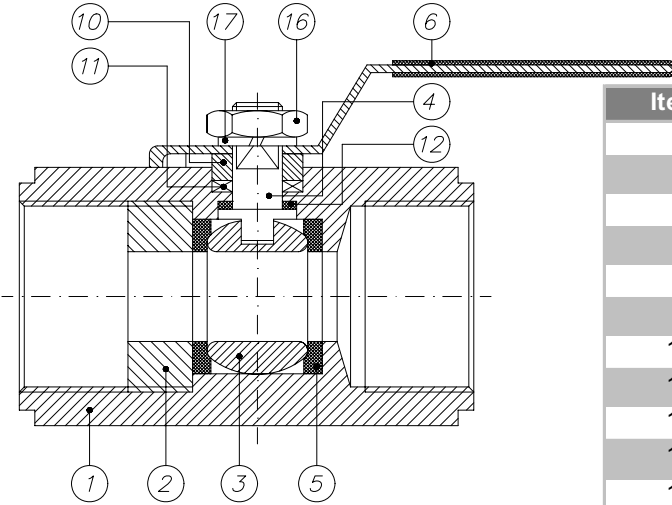
Comercial de Válvulas y Accesorios, S.A.  
Polígono Industrial Polizur, Calle Bosc Tancat, 6 Nave 2 y 3  
08290 Cerdanyola del valles ( Barcelona) – Spain Tel. 34 93 586 36 00 Fax 34 93 586 36 04  
e-mail: [info@cva.es](mailto:info@cva.es)  
URL: [www.jlx-valve.com](http://www.jlx-valve.com)

Remarks: The dimensions of this catalogue are for reference only and it can change without previous notice

# One Piece Ball Valves 1000 WOG (69 bar)

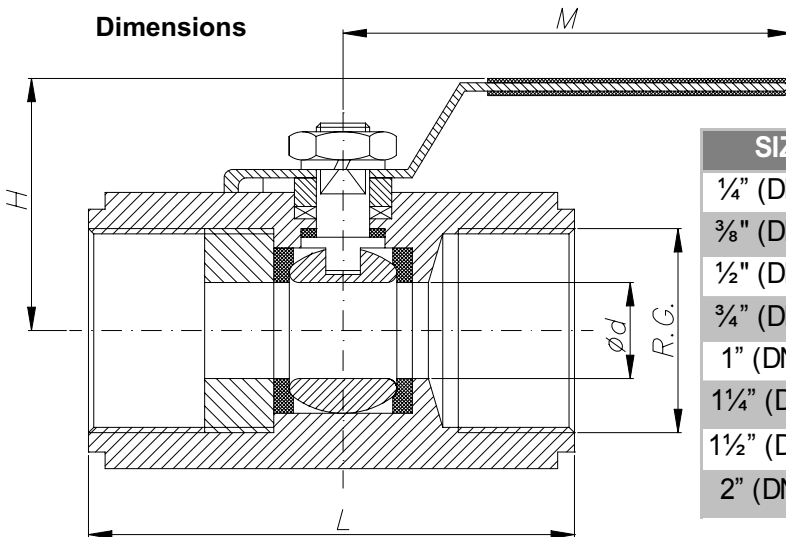
Parts and materials, Dimensions, P&T Rating

## Parts and materials



Item	Description	Material
1	Body	ASTMA351 CF8M
2	Insert	AISI 316
3	Ball	ASTMA351 CF8M
4	Stem	AISI 316
5	Seat ring	PTFE + 15% G.F.
6	Wrench	AISI 304
10	Gland	AISI 304
11	Gland packing	PTFE + 15% G.F.
12	Stem thrust seal	PTFE
16	Wrench Nut	AISI 304
17	Thrust Washer	AISI 304

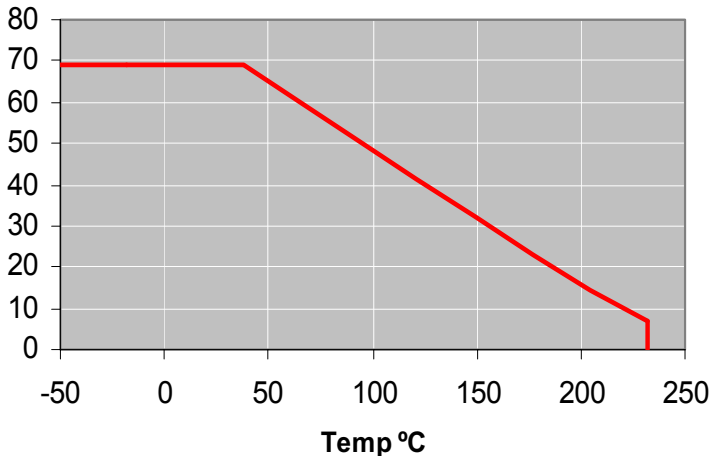
## Dimensions



SIZE	R.G.	Ød	L	M	H	WEIGHT
1/4" (DN 10)	1/4"	5	38,3	61	28,8	0,07
3/8" (DN 12)	3/8"	7,2	43,5	86	33,5	0,12
1/2" (DN 15)	1/2"	9	55,9	110	63,3	0,20
3/4" (DN 20)	3/4"	13	58,3	110	62	0,29
1" (DN 25)	1"	15	69,8	121	6,7	0,43
1 1/4" (DN 32)	1 1/4"	20	77,1	146	82,6	0,71
1 1/2" (DN 40)	1 1/2"	25	82,7	146	82,6	0,84
2" (DN 50)	2"	32	96,9	152	87,4	1,35

(\*) Dimensions in mm and weight in kg.

## Pressure-Temperature P Bar



— 1/4" - 2"



Comercial de Válvulas y Accesorios, S.A.  
Polígono Industrial Polizur, Calle Bosc Tancat, 6 Nave 2 y 3  
08290 Cerdanyola del valles (Barcelona) - Spain Tel. 34 93 586 36 00 Fax 34 93 586 36 04  
e-mail: [info@cva.es](mailto:info@cva.es)  
URL: [www.jlx-valve.com](http://www.jlx-valve.com)

Remarks: The dimensions of this catalogue are for reference only and it can change without previous notice