

Ball Valves 3 ways 4 seats “L” and “T” port
ISO 5211 pad for actuators
Size 1/4"-2" (DN 8-50) Stainless Steel



Fig. 772000(T) / 775000(L)
REDUCED BORE

Threaded according:
DIN 259/2999 (GAS) or NPT
ISO MOUNTING FLANGE



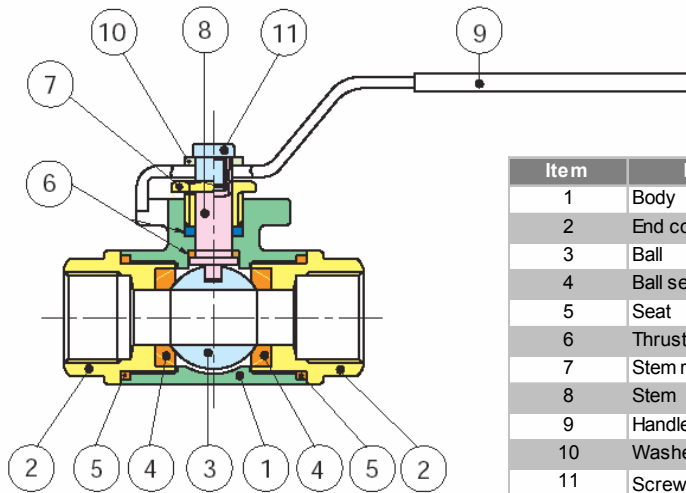
Comercial de Válvulas y Accesorios, S.A.
Polígono Industrial Polizur, Calle Bosc Tancat, 6 Nave 2 y 3
08290 Cerdanyola del valles (Barcelona) – Spain Tel. 93 586 36 00 Fax 93 586 36 04
e-mail: info@cva.es

URL: www.jlx-valve.com

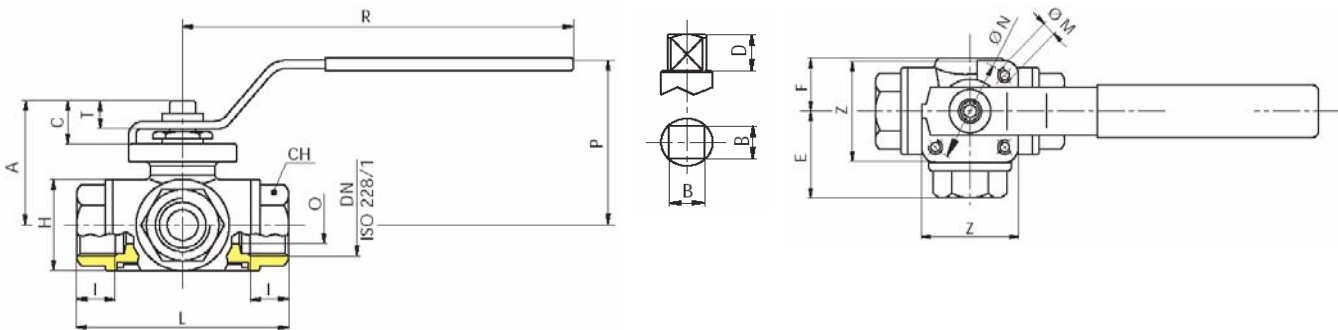
Remark: The dimensions of this catalogue are for reference only and it can change without previous notice.

Ball Valves 3 ways 4 seats "L" and "T" port ISO 5211 pad for actuators

Parts, materials and dimensions



Item	Description	Material
1	Body	A351 - CF8M
2	End connection	A351 - CF8M
3	Ball	A182 - F316
4	Ball seat	PTFE
5	Seat	PTFE
6	Thrust Washer	PTFE
7	Stem retaining nut	A182 - F304
8	Stem	A182 - F316
9	Handle	A182 - F304
10	Washer	A182 - F304
11	Screw	A182 - F304



SIZE	O	A	C	T	H	L	R	CH	I	E	F	P	ØM	N	Z	ØB	D	KV	PN	Kg
1/4" (DN 8)	8	50	18	12,5	37	79	158	ES.28	16	39	22	66	M5	42 F04	42	9	5	2,8	64	0,81
3/8" (DN 10)	8	50	18	12,5	37	79	158	ES.28	16	39	22	66	M5	42 F04	42	9	5	3	64	0,77
1/2" (DN 15)	10	50	18	12,5	37	79	158	ES.28	18	39	22	66	M5	42 F04	42	9	5	3,6	64	0,72
3/4" (DN 20)	15	63	21,5	16	45	86	158	ES.35	18	43	28	75	M6	50 F05	50	11	7	6	64	1,11
1" (DN 25)	20	70	27	19,5	52	108	186	ES.41	21	54	31	78	M6	50 F05	50	11	11,5	11	64	1,71
1 1/4" (DN 32)	25	84	32,5	24	67	124	213	ES.52	21	62	34	93	M6	50 F05	50	11	16	16	64	2,77
1 1/2" (DN 40)	32	87	32,5	24	75	134	237	ES.58	24	67	40	96	M8	70 F07	70	11	16	25,5	64	3,82
2" (DN 50)	40	96	33	25,5	96	164	237	ES.73	27	81	50	95	M8	70 F07	70	14	16	37,5	64	6,73

(*)Dimensions in mm



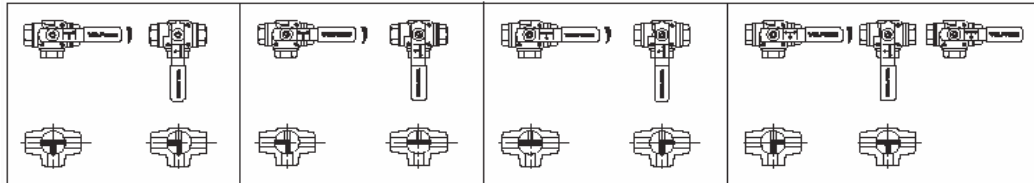
Comercial de Válvulas y Accesorios, S.A.
 Polígono Industrial Polizur, Calle Bosc Tancat, 6 Nave 2 y 3
 08290 Cerdanyola del valles (Barcelona) – Spain Tel. 93 586 36 00 Fax 93 586 36 04
 e-mail: info@cva.es
 URL: www.jlx-valve.com

Remark: The dimensions of this catalogue are for reference only and it can change without previous notice.

Ball Valves 3 ways 4 seats "L" and "T" port ISO 5211 pad for actuators

Characteristics

"T": OPERATING DRAFT

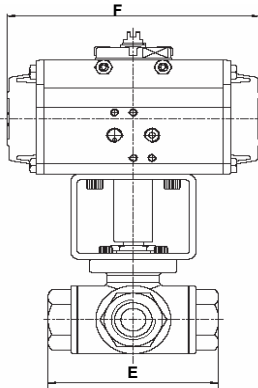


SPECIFICATIONS	Serie 77
DESIGN STANDARDS	
Thread Ends	Female-Female-Female
Nominal Diametre	From DN 8 to DN 50
Maneuver	90° rotation of the lever
Testing	100% tested
Operator	Handle stainless steel AISI 430 w ith red PVC cover

APPLICATION
Assembly in rigid pipe system
Other specifications in the "Technical Specifications" catalogue
Nominal pressure (PN) in bar
For temperature > 80°C see diagram in the Technical Specifications catalogue
KV: flow coefficient in m³/h at differential pressure of 100 kPa
Vacuum: Maximum 10 ⁻³ torr.
Temperature range: -20°C +160°C
Direction of flow : three directions
We recommend the valve use in fully open or closed, not in mid position, and to manoeuvre the valve at least twice a year.

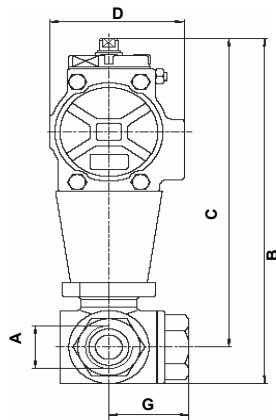


Ball Valves 3 ways 4 seats "L" and "T" port with actuators



Double Acting Actuator

SIZE (A)	B	C	D	E	F	G	ACT
1/4" (DN 8)	196,5	178	76	79	145	39	ADA-20
3/8" (DN 8)	196,5	178	76	79	145	39	ADA-20
1/2" (DN 10)	196,5	178	76	79	145	39	ADA-20
3/4" (DN 15)	229	206,5	91	86	158	43	ADA-40
1" (DN 20)	234	208	91	108	158	54	ADA-40
1"1/4 (DN 25)	250	216,5	91	124	158	62	ADA-40
1"1/2 (DN 32)	279	241,5	111	134	177	67	ADA-130
2" (DN 40)	298	250	111	164	177	81	ADA-130



Spring Return Actuator

SIZE (A)	B	C	D	E	F	G	ACT
1/4" (DN 8)	215,5	197	91	79	195	39	ASR-40
3/8" (DN 8)	265	246,5	91	79	195	39	ASR-40
1/2" (DN 10)	265	246,5	91	79	195	39	ASR-40
3/4" (DN 15)	313	290,5	111	86	217	43	ASR-80
1" (DN 20)	327	301	111	108	217	54	ASR-80
1"1/4 (DN 25)	355	321,5	111	124	217	62	ASR-80
1"1/2 (DN 32)	371	333,5	133	134	258	67	ASR-130
2" (DN 40)	389	341	122	164	258	81	ASR-130



Comercial de Válvulas y Accesorios, S.A.
 Polígono Industrial Polizur, Calle Bosc Tancat, 6 Nave 2 y 3
 08290 Cerdanyola del valles (Barcelona) – Spain Tel. 93 586 36 00 Fax 93 586 36 04
 e-mail: info@cva.es
 URL: www.jlx-valve.com

Remark: The dimensions of this catalogue are for reference only and it can change without previous notice.