

Ball Valves 3 ways 4 seats “L” and “T” port
ISO 5211 pad for actuators
Size ¼” – 2” (DN 8 - 50) Brass



Fig. 3500 T / 3600 L
FULL BORE

Threaded according:
DIN 259/2999 (GAS) or NPT
ISO MOUNTING FLANGE

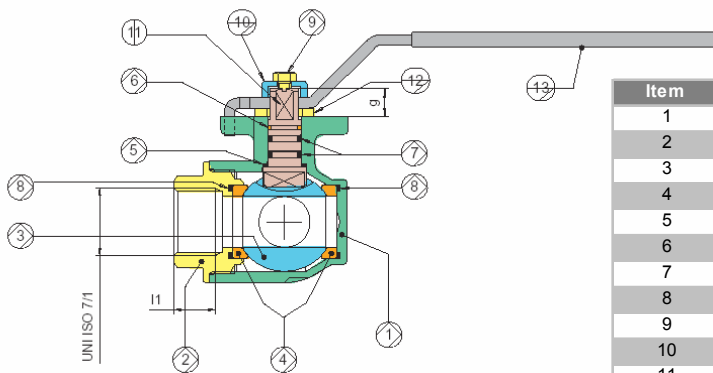
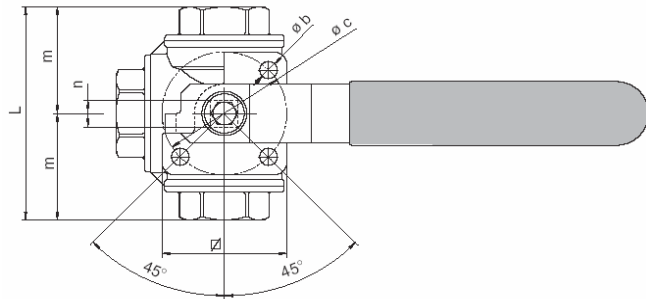
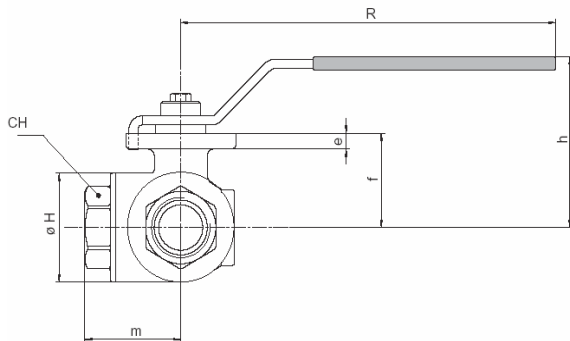


Comercial de Válvulas y Accesorios, S.A.
Polígono Industrial Polizur, Calle Bosc Tancat, 6 Nave 2 y 3
08290 Cerdanyola del valles (Barcelona) – Spain Tel. 93 586 36 00 Fax 93 586 36 04
e-mail: info@cva.es
URL: www.jlx-valve.com

Remark: The dimensions of this catalogue are for reference only and it can change without previous notice.

Ball Valves 3 ways 4 seats "L" and "T" port ISO 5211 pad for actuators

Parts, materials and dimensions



Item	Description	Material
1	Body	CW617N UNI EN 12165
2	End connection	CW617N UNI EN 12165
3	Ball	CW617N UNI EN 12165
4	Ball seat	PTFE (TEFLON®)
5	Antiattrition seat	PTFE (TEFLON®)
6	Stem seat	PTFE (TEFLON®)
7	O'Ring	FKM (VITON®)
8	O'Ring	FKM (VITON®)
9	Screw	ACCIAIO
10	Bushing	CW614N UNI EN 12164
11	Stem	CW614N UNI EN 12164
12	Washer	NYLON
13	Handle	ACCIAIO UNI 7070

SIZE	H	l1	L	m	CH	R	h	øb	øc	e	f	g	Ø	n	KV	PN	Kg
1/4" (DN 8)	34	11	67	33,5	22	120	62,5	6	36 (ISO F03)	5	30,5	9	38	9	2,8	30	0,55
3/8" (DN 10)	34	11,4	67	33,5	22	120	62,5	6	36 (ISO F03)	5	30,5	9	38	9	3	30	0,52
1/2" (DN 15)	39	15	77	38,5	27	120	63,5	6	36 (ISO F03)	5	32,7	9	38	9	3,9	30	0,65
3/4" (DN 20)	48	16,3	87	43,5	32	170	75	7	50 (ISO F05)	7	41,5	11	50	11	7,9	30	1,10
1" (DN 25)	60	19,1	105	52,5	41	170	79,5	7	50 (ISO F05)	7	47	11	50	11	13	16	1,83
1 1/4" (DN 32)	72	21,4	122,5	61,25	50	170	93	7	50 (ISO F05)	7	59,5	11	50	11	20,7	10	2,75
1 1/2" (DN 40)	86	21,4	138,5	69,25	55	230	113,5	9	70 (ISO F07)	8	73,85	15	70	14	38,7	10	4,57
2" (DN 50)	111	25,7	166	83	70	230	123,5	9	70 (ISO F07)	8	85	15	70	14	54	10	8,37

Comercial de Válvulas y Accesorios, S.A.

Polígono Industrial Polizur, Calle Bosc Tancat, 6 Nave 2 y 3

08290 Cerdanyola del valles (Barcelona) – Spain Tel. 93 586 36 00 Fax 93 586 36 04

e-mail: info@cva.es

URL: www.jlx-valve.com

Remark: The dimensions of this catalogue are for reference only and it can change without previous notice.



Ball Valves 3 ways 4 seats "L" and "T" port

ISO 5211 pad for actuators

Operating Draft and Characteristics

FLOW PATH VARIATIONS							
	3500 T	3500 T	3500 T	3500 T	3600 L	3600 L	3600 L
Lever Assembly							
Position 1							
Position 2							
Note	The flow paths are indicated by the markings on the spindle.						

SPECIFICATIONS	3500 and 3600
DESIGN STANDARDS	
Thread Ends	Female-Female.Female UNI ISO 7/1
Orifice	From 8 mm to 50 mm
Maneuver	90° rotation of the lever
Lever	Steel handle UNI 7070 black PVC coated

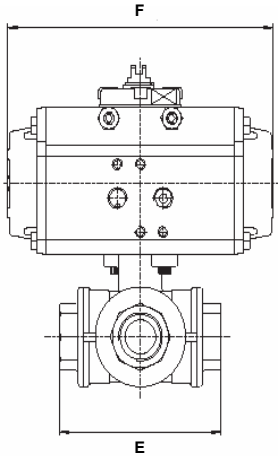
APPLICATION
Assembly in rigid pipe system
Other specifications in the "Technical Specifications" catalogue
Nominal pressure (PN) in bar
For temperature >80°C see diagram in the "Technical Specifications" catalogue
KV: flow coefficient in m³/h at differential pressure of 100 kPa
Vacuum: Maximum 10 ⁻³ torr.
Temperature range: -20°C +160°C
Direction of flow : three directions
Four seats
We recommend the valve use in fully open or closed, not in mid position, and to manoeuvre the valve at least twice a year.



Comercial de Válvulas y Accesorios, S.A.
 Polígono Industrial Polizur, Calle Bosc Tancat, 6 Nave 2 y 3
 08290 Cerdanyola del valles (Barcelona) – Spain Tel. 93 586 36 00 Fax 93 586 36 04
 e-mail: info@cva.es
 URL: www.jlx-valve.com

Remark: The dimensions of this catalogue are for reference only and it can change without previous notice.

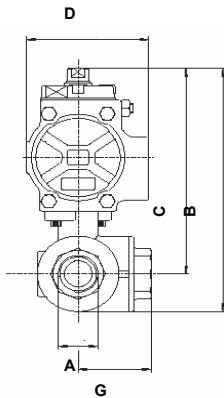
Ball Valves 3 ways 4 seats "L" and "T" port with actuators



Double Acting Actuator

SIZE (A)	B	C	D	E	F	G	ACT
1/4" (DN 8)	143,5	126,5	76	67	145	34	ADA-20
3/8" (DN 10)	143,5	126,5	76	67	145	34	ADA-20
1/2" (DN 15)	148,2	128,7	76	77	145	39	ADA-20
3/4" (DN 20)	161,5	137,5	76	87	145	44	ADA-20
1" (DN 25)	173	143	76	105	145	53	ADA-20
1"1/4 (DN 32)	210,5	174,5	91	123	158	62	ADA-40
1"1/2 (DN 40)	231,85	188,85	91	139	158	70	ADA-40
2" (DN 50)	277,5	222	111	166	177	83	ADA-80

Spring Return Actuator



SIZE (A)	B	C	D	E	F	G	ACT
1/4" (DN 8)	143,5	126,5	76	67	163	34	ASR-20
3/8" (DN 10)	143,5	126,5	76	67	163	34	ASR-20
1/2" (DN 15)	148,2	128,7	76	77	163	39	ASR-20
3/4" (DN 20)	180,5	156,5	91	87	195	44	ASR-40
1" (DN 25)	192	162	91	105	195	53	ASR-40
1"1/4 (DN 32)	210,5	174,5	91	123	195	62	ASR-40
1"1/2 (DN 40)	253,85	210,85	111	139	217	70	ASR-80
2" (DN 50)	287,5	232	122	166	258	83	ASR-130

Comercial de Válvulas y Accesorios, S.A.

Polígono Industrial Polizur, Calle Bosc Tancat, 6 Nave 2 y 3

08290 Cerdanyola del valles (Barcelona) – Spain Tel. 93 586 36 00 Fax 93 586 36 04

e-mail: info@cva.es

URL: www.jlx-valve.com

Remark: The dimensions of this catalogue are for reference only and it can change without previous notice.

