

Wafer Ball Valve, 3 way flanged diverter, 2 seats, “L” and “T” ports DIN PN16

Size ½”- 6” (DN 15-150) Stainless and Carbon Steel

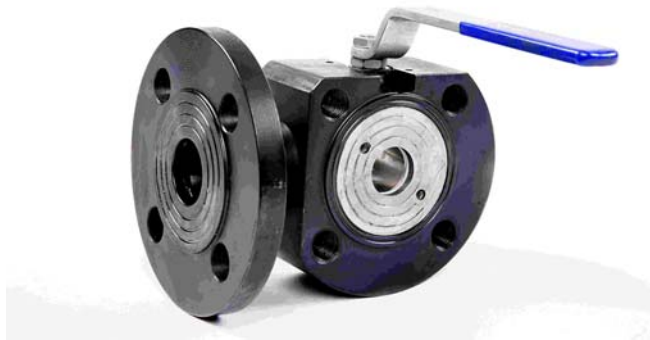


Fig. 776007 / 776000 REDUCED BORE Flanged ends



Comercial de Válvulas y Accesorios, S.A.
Polígono Industrial Polizur, Calle Bosc Tancat, 6 Nave 2 y 3
08290 Cerdanyola del valles (Barcelona) – Spain Tel. 93 586 36 00 Fax 93 586 36 04
e-mail: info@cva.es
URL: www.jlx-valve.com

Remark: The dimensions of this catalogue are for reference only and it can change without previous notice.

Wafer Ball Valve, 3 way flanged diverter, 2 seats, "L" and "T" ports

Characteristics

SPECIFICATIONS	Serie 77
DESIGN STANDARDS	
Rating	PN16
Nominal Diametre	From DN 15 to DN 150
Maneuver	90° rotation of the lever
Testing	100% tested
Operator	Handle UNI 7070 blue PVC coated

APPLICATION

Assembly in flanged pipe system

Nominal pressure (PN) in bar

Vacuum: Maximum 10-3 torr.

Temperature range: -20°C +160°C

Direction of flow : three directions

We recommend the valve use in fully open or closed, not in mid position, and to manoeuvre the valve at least twice a year.

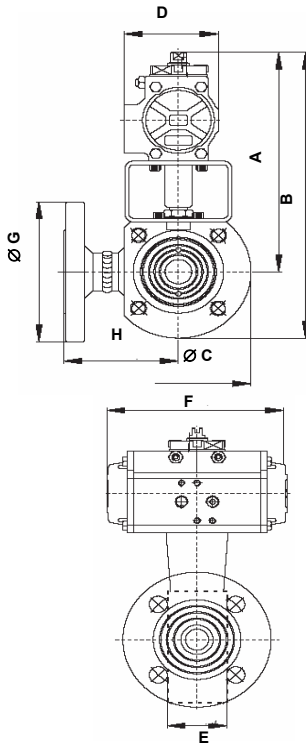
OPTION AVAILABLE

776010 Stainless steel "T" port ball valve

776001 Carbon steel "T" port ball valve

776003 AISI 316 ANSI 150 metric to "L"

776005 A 105 ANSI 150 metric to "L"



Double Acting Actuator

SIZE	A	B	Ø C	D	E	F	Ø G	H	ACT
1/2" (DN 15)	191	236	89	76	40	145	95	76	ADA-20
3/4" (DN 20)	196	246	99	76	40	145	105	82	ADA-20
1" (DN 25)	201	256	109	76	46	145	115	86	ADA-20
1 1/4" (DN 32)	211	276	130	76	58	145	140	100	ADA-20
1 1/2" (DN 40)	235	305	140	91	71	158	150	105	ADA-40
2" (DN 50)	262	337	160	111	82	177	165	115	ADA-80
2 1/2" (DN 65)	284,5	372	180	122	106	196	185	125	ADA-130
3" (DN 80)	292	387	200	122	122	196	200	150	ADA-130
4" (DN 100)	335	445	220	135,5	152	225	220	159	ADA-200
5" (DN 125)	350	475	250	135,5	196	225	250	190	ADA-200
6" (DN 150)	409	559	306	173	232	304	285	210	ADA-500

Spring Return Actuator

SIZE	A	B	Ø C	D	E	F	Ø G	H	ACT
1/2" (DN 15)	191	236	89	76	40	163	95	76	ASR-20
3/4" (DN 20)	215	265	99	91	40	195	105	82	ASR-40
1" (DN 25)	220	275	109	91	46	195	115	86	ASR-40
1 1/4" (DN 32)	230	295	130	91	58	195	140	100	ASR-40
1 1/2" (DN 40)	257	327	140	111	71	217	150	105	ASR-80
2" (DN 50)	272	347	160	122	82	258	165	115	ASR-130
2 1/2" (DN 65)	302,5	390	180	135,5	106	299	185	125	ASR-200
3" (DN 80)	327	422	200	152,5	122	348,5	200	150	ASR-300
4" (DN 100)	352	462	220	152,5	152	348,5	220	159	ASR-300
5" (DN 125)	367	492	250	152,5	196	348,5	250	190	ASR-300
6" (DN 150)	409	559	306	173	232	397	285	210	ASR-500



Comercial de Válvulas y Accesorios, S.A.

Polígono Industrial Polizur, Calle Bosc Tancat, 6 Nave 2 y 3

08290 Cerdanyola del valles (Barcelona) – Spain Tel. 93 586 36 00 Fax 93 586 36 04

e-mail: info@cva.es

URL: www.jlx-valve.com

Remark: The dimensions of this catalogue are for reference only and it can change without previous notice.