

# Ball Valves Class 800 AICG Type

## DN 1/2" – 2"

**Index**



## **SERIES 400 FULL BORE & REDUCED BORE**

NPT, SW & BW Ends  
Face to face dimensions Manufacturer's Standard

Manufacturing program:



Quality & Environmental Management:



Comercial de Válvulas y Accesorios, S.L.  
Polígono Industrial Polizur, Calle Bosc Tancat, 6 Nave 2 y 3  
08290 Cerdanyola del valles ( Barcelona) – Spain Tel. 93 586 36 00 Fax 93 586 36 04  
e-mail: [info@cva.es](mailto:info@cva.es)  
URL: [www.cva.es](http://www.cva.es)

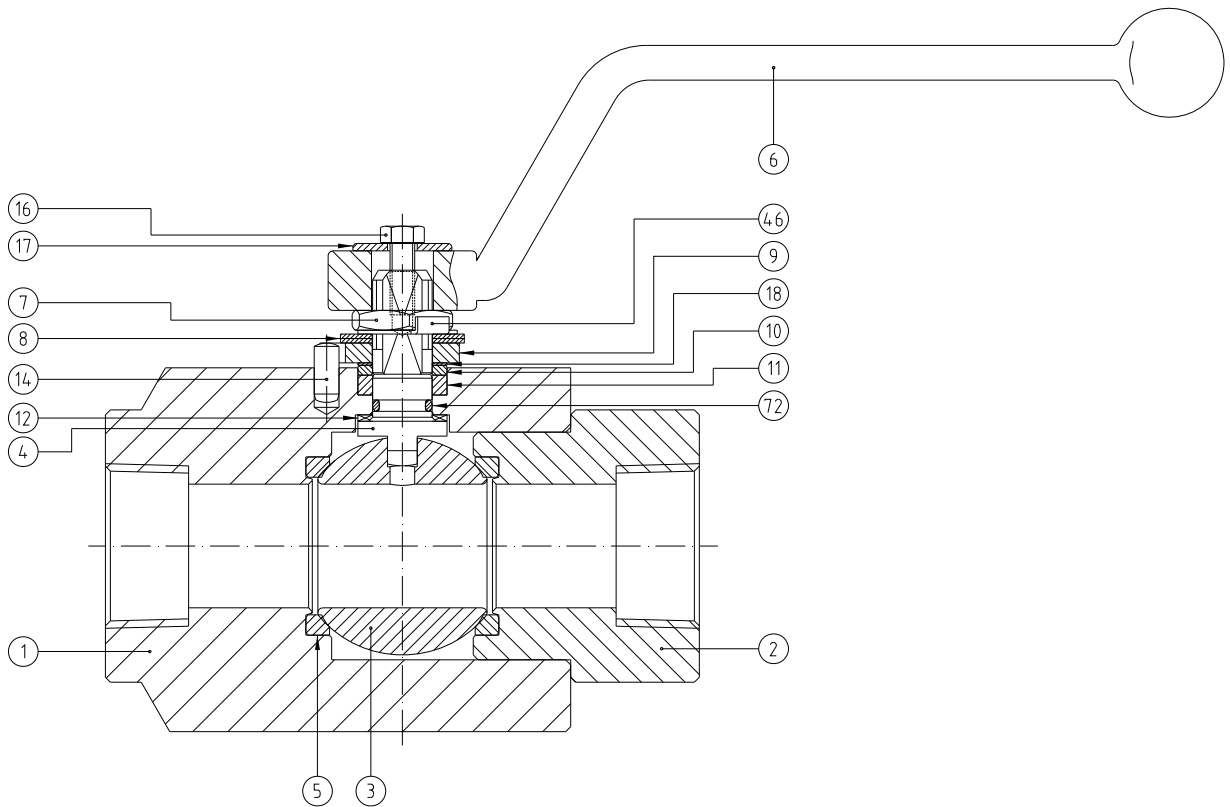
Nota: Las medidas del presente catalogo son orientativas y pueden variar sin previo aviso

Data given can be changed without notice.

WFF  
WFR

# Ball Valves Class 800 AICG Type

## Parts and materials



Item	Description	Material
		A.I.CG.
1	Body	A 105N
2	Body connector	A 105N
3	Ball	A276/479 Tp. 316
4	Stem	A276/479 Tp. 316
5	Seat ring	Carbon graphite filled PTFE
6	Wrench	Nodular iron
7	Gland nut	Zinc Plated Carbon Steel
8	Disk spring	Carbon Steel
9	Stop plate	Carbon Steel
10	Gland	AISI 303
11	Gland packing	Graphite
12	Stem thrust seal	25% G.F. PTFE
14	Stop pin	Carbon Steel
16	Bolt	DIN 933 5.6 Zinc Plated
17	Washer	Zinc Plated Carbon Steel
18	Thrust washer	25% G.F. PTFE
19	Antistatic device	Stainless St.
46	Washer	AISI 304
72	O' Ring stem	FKM



Comercial de Válvulas y Accesorios, S.L.  
 Polígono Industrial Polizur, Calle Bosc Tancat, 6 Nave 2 y 3  
 08290 Cerdanyola del valles ( Barcelona) – Spain Tel. 93 586 36 00 Fax 93 586 36 04  
 e-mail: [info@cva.es](mailto:info@cva.es)

URL: [www.cva.es](http://www.cva.es)

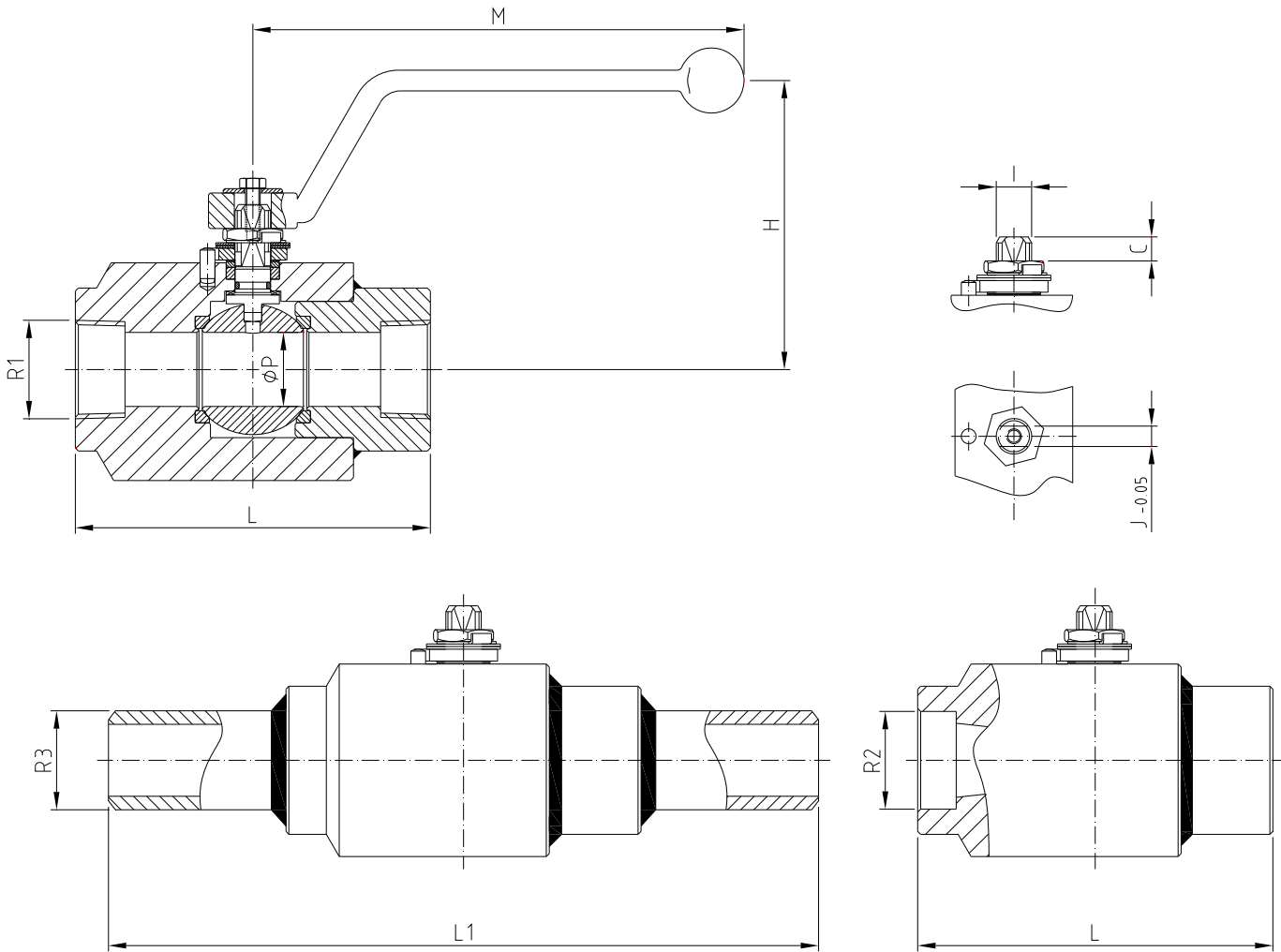
Nota: Las medidas del presente catalogo son orientativas y pueden variar sin previo aviso

Data given can be changed without notice.

WFF  
WFR

# Ball Valves Class 800 AICG Type

## Dimensions



**FIG. 400 CLASS 800**

DN	L	L1	ØP	H	M	C	I	J	R1	R2	R3
½" x ⅜"	80	240	10	96	166	9	12	9	½" NPT	½" SW	½" BW
½"	90	240	15	101	166	9	12	9	½" NPT	½" SW	½" BW
¾" x ½"	90	240	15	101	166	9	12	9	¾" NPT	¾" SW	¾" BW
¾"	110	240	20	104	166	9	12	9	¾" NPT	¾" SW	¾" BW
1" x ¾"	120	240	20	104	166	9	12	9	1" NPT	1" SW	1" BW
1"	120	240	25	115	166	9	12	9	1" NPT	1" SW	1" BW
1¼"	130	260	32	132	212	13	16	12	1¼" NPT	1¼" SW	1¼" BW
1½" x 1¼"	150	260	32	132	212	13	16	12	1½" NPT	1½" SW	1½" BW
1½"	150	260	40	150	212	19	18	13	1½" NPT	1½" SW	1½" BW
2" x 1½"	150	260	40	150	212	19	18	13	2" NPT	2" SW	2" BW
2"	180	260	50	161	212	19	18	13	2" NPT	2" SW	2" BW

(\*) Dimensions in mm.



Comercial de Válvulas y Accesorios, S.L.  
 Polígono Industrial Polizur, Calle Bosc Tancat, 6 Nave 2 y 3  
 08290 Cerdanyola del valles ( Barcelona) – Spain Tel. 93 586 36 00 Fax 93 586 36 04  
 e-mail: [info@cva.es](mailto:info@cva.es)  
 URL: [www.cva.es](http://www.cva.es)

Nota: Las medidas del presente catalogo son orientativas y pueden variar sin previo aviso

Data given can be changed without notice.

WFF  
WFR

# Ball Valves Class 800 AICG Type

## Options

Fig.401 FULL BORE  
(NPTF / NPTF)

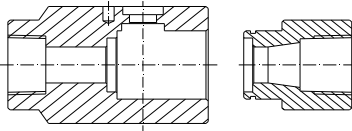


Fig.411 REDUCED BORE  
(NPTF / NPTF)

Fig.402 FULL BORE  
(SW / SW)

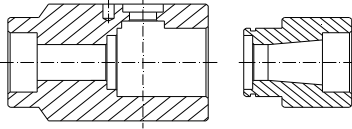


Fig.412 REDUCED BORE  
(SW / SW)

Fig.404 FULL BORE  
(BW / NPTM)

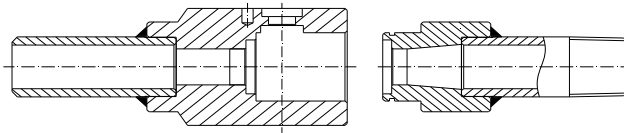


Fig.414 REDUCED BORE  
(BW / NPTM)

Fig.404H FULL BORE  
(NPTF / BW)

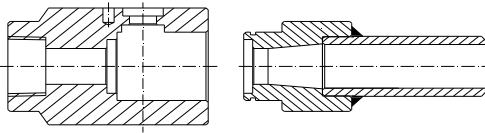


Fig.414H REDUCED BORE  
(NPTF / BW)

Fig.405 FULL BORE  
(NPTF / SW)

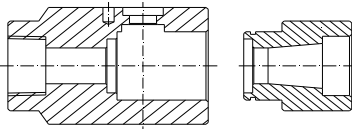


Fig.415 REDUCED BORE  
(NPTF / SW)

Fig.405TV FULL BORE  
(NPTF / GASM)

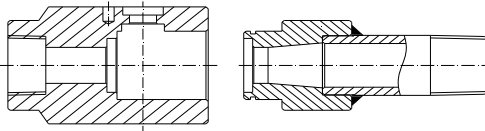


Fig.415TV REDUCED BORE  
(NPTF / GASM)

Fig.406 FULL BORE  
(NPTM / NPTM)

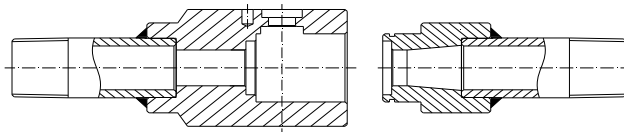


Fig.416 REDUCED BORE  
(NPTM / NPTM)

Fig.407 FULL BORE  
(BW / BW)

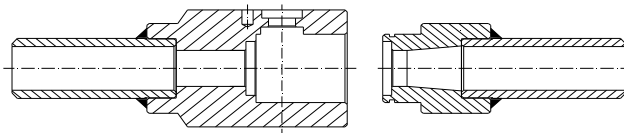


Fig.417 REDUCED BORE  
(BW / BW)



# Ball Valves Class 800 AICG Type

## General Characteristics, P&T Rating, Torque

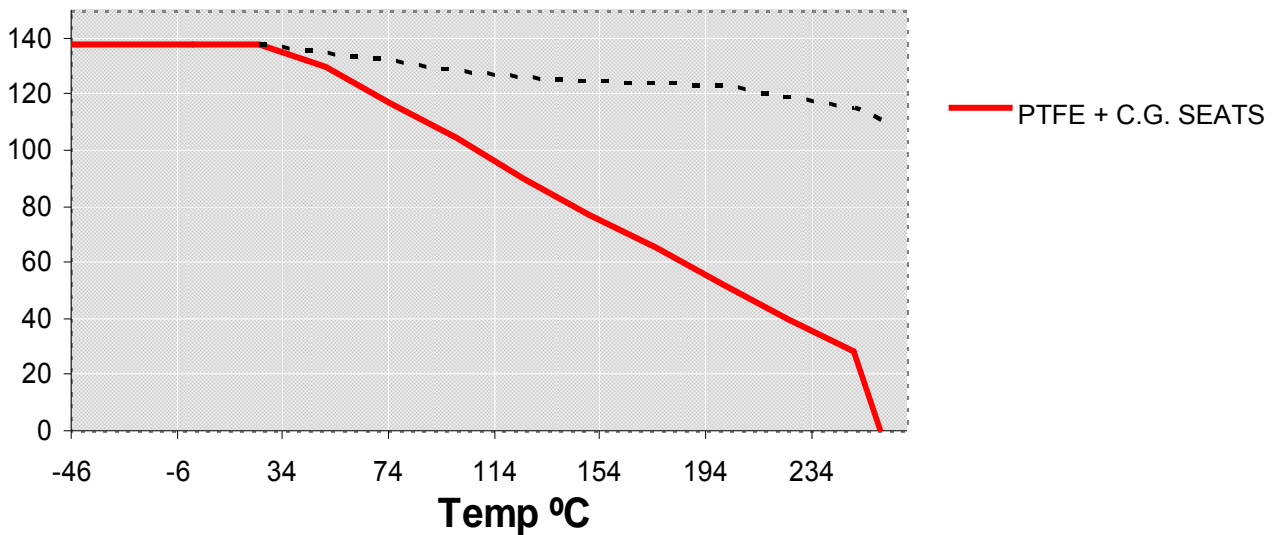
<b>GENERAL CHARACTERISTICS</b>	Fig. 400, Series <b>WFF</b>	<b>Welded</b>	<b>Floating</b>	<b>Full</b>
	Fig. 400, Series <b>WFR</b>	<b>Welded</b>	<b>Floating</b>	<b>Reduced</b>
<b>DESIGN STANDARDS</b>				
Valves design	BS 5351	ISO 17292		
Shell thickness	BS 5351	ISO 17292		
End to end dimensions	Manufacturer's standard			
Marking	DIN EN 19	CE Mark > DN1"	ATEX	ISO 17292
<b>TESTS AND CERTIFICATES</b>				
Quality Assurance	ISO 9001			
Fire safe Certification	ISO 10497	BS 6755 Part 2	API 6FA	
Pressure testing	API 598	BS 6755 Part 1	ISO 17292	EN 12266
Other	ISO 14001	ATEX		

### Torque Values in Nm

BALL BORE (mm)	AT DIFFERENTIAL PRESSURE	AT DIFFERENTIAL PRESSURE	AT DIFFERENTIAL PRESSURE		
	20 bar	55 bar	138 bar		
9,5	6	9	16		
15	8	12	20		
20	10	16	25		
25	15	20	30		
32	22	28	40		
40	25	35	50		
50	40	55	70		

### Pressure-Temperature

P Bar



Comercial de Válvulas y Accesorios, S.L.  
 Polígono Industrial Polizur, Calle Bosc Tancat, 6 Nave 2 y 3  
 08290 Cerdanyola del valles ( Barcelona) – Spain Tel. 93 586 36 00 Fax 93 586 36 04  
 e-mail: [info@cva.es](mailto:info@cva.es)  
 URL: [www.cva.es](http://www.cva.es)

Nota: Las medidas del presente catalogo son orientativas y pueden variar sin previo aviso

Data given can be changed without notice.

WFF  
WFR