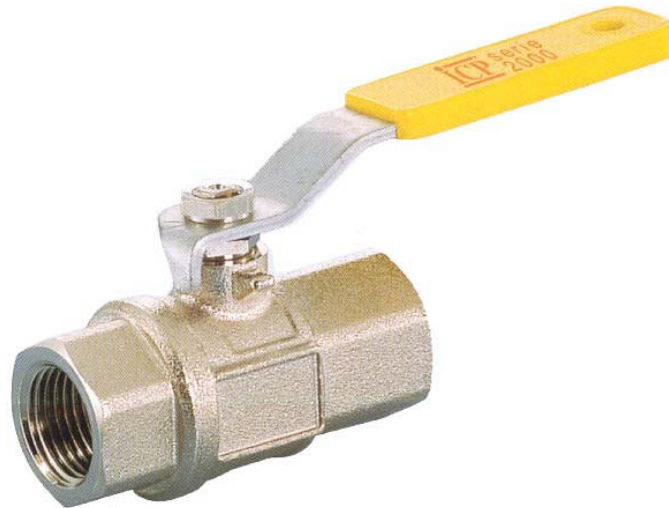


**Brass Ball Valves 2 ways**  
**Size 1/4" – 4" (DN 10 - 100 )**

---



**Serie 2000**  
**FULL BORE**  
**Threaded according:**  
**ASME B1.20.1 (NPT)**



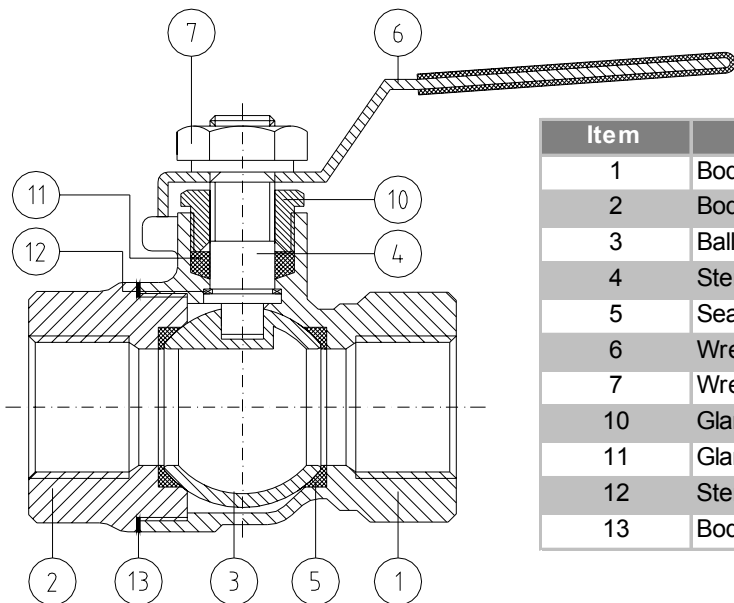
Comercial de Válvulas y Accesorios, S.A.  
Poligono Industrial Polizur, Calle Bosc Tancat, 6 Nave 2 y 3  
08290 Cerdanyola del valles ( Barcelona) – Spain Tel. 34 93 586 36 00 Fax 34 93 586 36 04  
e-mail: [info@cva.es](mailto:info@cva.es)  
URL: [www.jlx-valve.com](http://www.jlx-valve.com)

Remarks: The dimensions of this catalogue are for reference only and it can change without previous notice

# Brass Ball Valves 2 ways

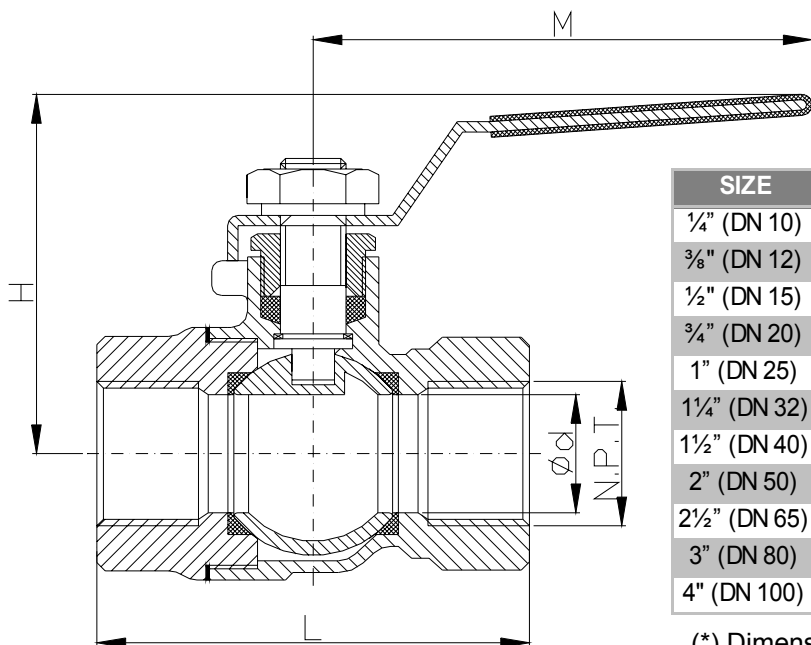
## Parts and materials, Dimensions

### Parts and materials



| Item | Description         | Material               |
|------|---------------------|------------------------|
| 1    | Body                | BRASS 58               |
| 2    | Body connector      | BRASS 58               |
| 3    | Ball                | Cr-Ni PLATED BRASS 58  |
| 4    | Stem                | PLATED BRASS 58        |
| 5    | Seat ring           | PTFE                   |
| 6    | Wrench              | Fe 50 DACROMET         |
| 7    | Wrench Nut          | NICKEL PLATED BRASS 58 |
| 10   | Gland               | NICKEL PLATED BRASS 58 |
| 11   | Gland packing       | PTFE                   |
| 12   | Stem thrust seal    | PTFE                   |
| 13   | Body connector seal | PTFE                   |

### Dimensions



| SIZE           | N.P.T. | Ød | L   | M   | H     | WEIGHT |
|----------------|--------|----|-----|-----|-------|--------|
| 1/4" (DN 10)   | 1/4"   | 10 | 44  | 95  | 40,5  | 0,13   |
| 3/8" (DN 12)   | 3/8"   | 10 | 49  | 95  | 40,5  | 0,13   |
| 1/2" (DN 15)   | 1/2"   | 14 | 62  | 95  | 43    | 0,2    |
| 3/4" (DN 20)   | 3/4"   | 19 | 70  | 115 | 53    | 0,36   |
| 1" (DN 25)     | 1"     | 24 | 84  | 115 | 57    | 0,53   |
| 1 1/4" (DN 32) | 1 1/4" | 30 | 98  | 155 | 72,5  | 0,87   |
| 1 1/2" (DN 40) | 1 1/2" | 38 | 106 | 155 | 78,5  | 1,12   |
| 2" (DN 50)     | 2"     | 47 | 126 | 175 | 94    | 1,81   |
| 2 1/2" (DN 65) | 2 1/2" | 62 | 152 | 215 | 111,5 | 4      |
| 3" (DN 80)     | 3"     | 76 | 176 | 232 | 134   | 5,505  |
| 4" (DN 100)    | 4"     | 98 | 222 | 232 | 155   | 10,5   |

(\* ) Dimensions in mm and weight in kg.



Comercial de Válvulas y Accesorios, S.A.  
 Polígono Industrial Polizur, Calle Bosc Tancat, 6 Nave 2 y 3  
 08290 Cerdanyola del valles ( Barcelona ) – Spain Tel. 34 93 586 36 00 Fax 34 93 586 36 04  
 e-mail: [info@cva.es](mailto:info@cva.es)  
 URL: [www.jlx-valve.com](http://www.jlx-valve.com)

Remarks: The dimensions of this catalogue are for reference only and it can change without previous notice

# Brass Ball Valves 2 ways

## Torque, Kv, P&T Rating

### Torque Values in Nm

| VALVE SIZE     | AT DIFFERENTIAL PRESSURE | VALVE SIZE     | AT DIFFERENTIAL PRESSURE |
|----------------|--------------------------|----------------|--------------------------|
| 1/4" (DN 10)   | 2 (40 bar)               | 1 1/2" (DN 40) | 20 (25 bar)              |
| 3/8" (DN 12)   | 2,7 (40 bar)             | 2" (DN 50)     | 33 (25 bar)              |
| 1/2" (DN 15)   | 5,4 (40 bar)             | 2 1/2" (DN 65) | 47,4 (16 bar)            |
| 3/4" (DN 20)   | 8 (40 bar)               | 3" (DN 80)     | 80 (16 bar)              |
| 1" (DN 25)     | 10 (40 bar)              | 4" (DN 100)    | 105 (16 bar)             |
| 1 1/4" (DN 32) | 14 (25 bar)              |                |                          |

### Kv Values in m<sup>3</sup>/h

| VALVE SIZE     | Kv   | VALVE SIZE     | Kv    |
|----------------|------|----------------|-------|
| 1/4" (DN 10)   | 5,2  | 1 1/2" (DN 40) | 133,3 |
| 3/8" (DN 12)   | 5,6  | 2" (DN 50)     | 173,2 |
| 1/2" (DN 15)   | 15,6 | 2 1/2" (DN 65) | 334,2 |
| 3/4" (DN 20)   | 25,1 | 3" (DN 80)     | 519,5 |
| 1" (DN 25)     | 44,2 | 4" (DN 100)    | 831,2 |
| 1 1/4" (DN 32) | 66,7 |                |       |

### Pressure-Temperature

P Bar

