



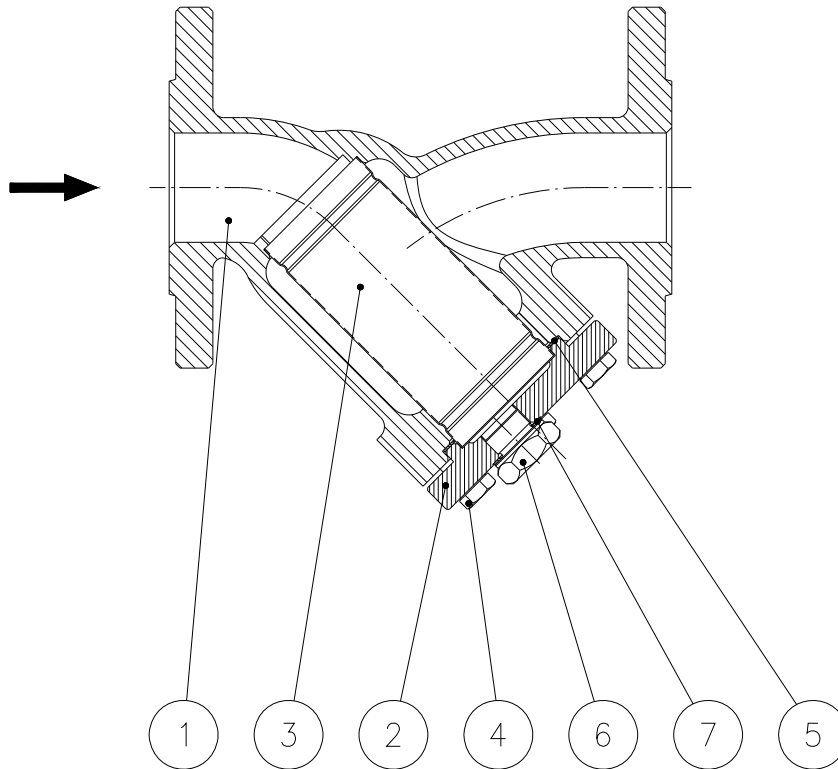
Flanged “Y” type Strainer

DN ½”-8” Class 150#, 300# & 600#
Carbon Steel and Stainless Steel

Carbon Steel: Fig. S1315, S1330 & S1360
Stainless Steel: Fig. S1415, S1430 & S1460



Flanged "Y" type Strainer



AJ STRAINER			
Item	Description	Carbon Steel	Stainless Steel
		1	Body
2	Cap	A 216 WCB	A 351 CF8M
3	Strainer Screen	A 240 TYPE 304	A 240 TYPE 316
4	Body Bolt	A 193 B7M	A 193 B8M
5	Cap Gasket	Graphite	
6	Drain Plug	Carbon Steel	A 182 F 316
7	Drain Plug Gasket	Synthetic fiber	

(*) Other materials under request.



Flanged "Y" type Strainer

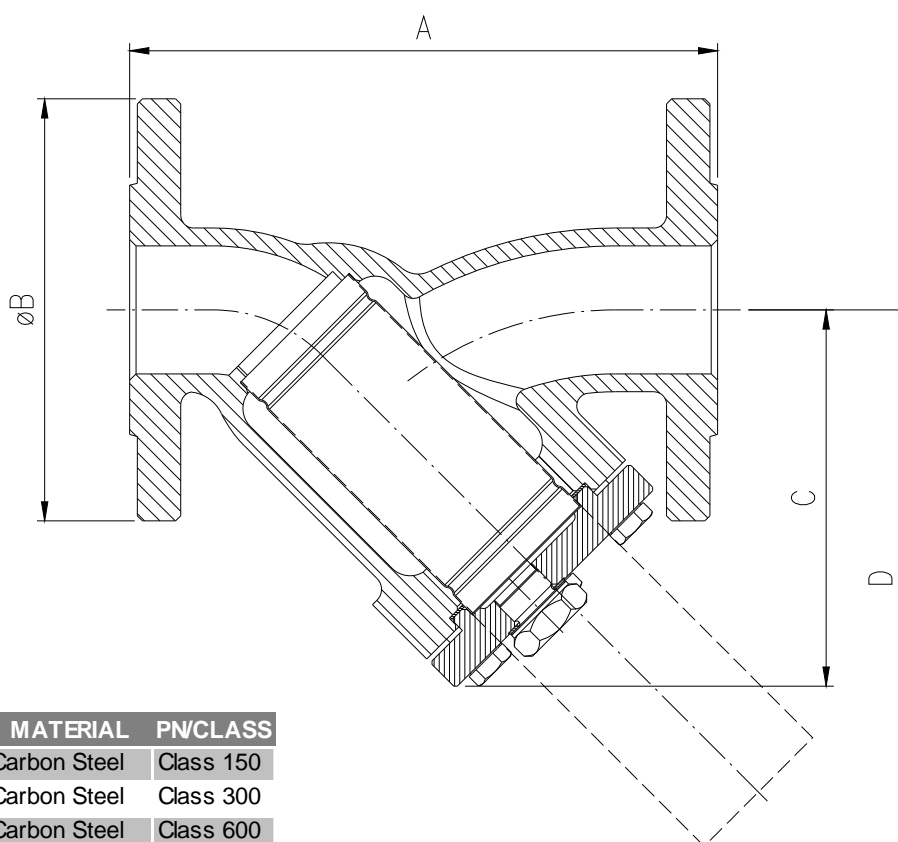


FIG	MATERIAL	PN/CLASS
CS1315	Carbon Steel	Class 150
CS1330	Carbon Steel	Class 300
CS1360	Carbon Steel	Class 600
CS1415	Stainless Steel	Class 150
CS1430	Stainless Steel	Class 300
CS1460	Stainless Steel	Class 600

General dimensions & Weight

DN	A			C	D	CS1315		CS1330		CS1360		CS1415		CS1430		CS1460	
	150#	300#	600#			øB	WEIGHT	øB	WEIGHT	øB	WEIGHT	øB	WEIGHT	øB	WEIGHT	øB	WEIGHT
½"	108	152	165	74	105	90	3,5	95	4,0	95	4,5	90	3,5	95	4,0	95	4,5
¾"	117	178	190	86	122	100	4,0	115	5,0	115	5,5	100	4,0	115	5,0	115	5,5
1"	127	203	216	93	136	110	4,7	125	6,5	125	7,0	110	4,7	125	6,5	125	7,0
1¼"	140	216	229	115	161	115	9,5	135	12,0	135	13,0	115	9,5	135	12,0	135	13,0
1½"	165	229	241	128	177	125	11,0	155	17,0	155	18,0	125	11,0	155	17,0	155	18,0
2"	203	267	292	147	210	150	14,0	165	21,0	165	23,0	150	14,0	165	21,0	165	23,0
2½"	216	292	330	181	252	180	23,0	190	33,0	190	35,0	180	23,0	190	33,0	190	35,0
3"	241	318	356	197	268	190	25,0	210	41,0	210	45,0	190	25,0	210	41,0	210	45,0
4"	292	356	432	219	303	230	40,0	255	57,0	275	59,0	230	40,0	255	57,0	275	59,0
5"	356	400	508	261	371	255	69,0	280	103,0	330	106,0	255	69,0	280	103,0	330	106,0
6"	406	444	559	348	512	280	83,0	320	131,0	355	133,0	280	83,0	320	131,0	355	133,0
8"	495	559	660	416	625	345	158,0	380	206,0	420	209,0	345	158,0	380	206,0	420	209,0

(*) Dimensions in mm and weight in kg.

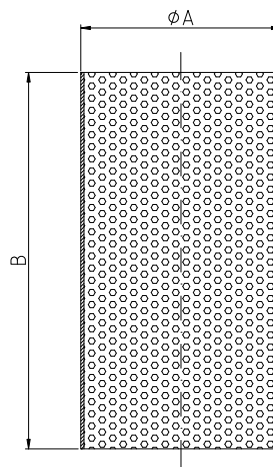


Flanged "Y" type Strainer

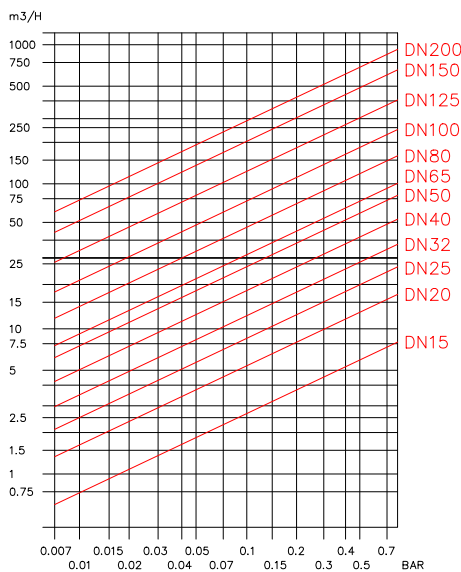
GENERAL CHARACTERISTICS	Fig., CS1315, CS1415 & CS1430		
DESIGN STANDARDS			
Valves design	ANSI B 16,34		
Face to Face Dimensions	ANSI B-16,10		
Flanged Dimensions	ANSI B 16,5		
Visual Inspection	MSS SP- 55		
Marking	MSS SP- 25 & ISO 5209		
TESTS AND CERTIFICATES			
Pressure testing	API 598 & ISO 5208		

Strainer Screen Dimensions:

DN	øA	B	Perforation	Area
½"	25	55	ø1	1: 6,05
¾"	30	64	ø1	1: 4,70
1"	35	73	ø1	1: 3,97
1¼"	40	96	ø1	1: 3,58
1½"	50	100	ø1	1: 2,98
2"	60	125	ø1	1: 2,83
2½"	68	142	ø1,5	1: 2,13
3"	83	152	ø1,5	1: 1,83
4"	94	172	ø1,5	1: 1,50
5"	120	222	ø1,5	1: 1,56
6"	155	300	ø1,5	1: 1,89
8"	206	370	ø1,5	1: 1,74



Pressure Drop



Pressure-Temperature

