

Brass Ball Valves 2 ways

Size 1/4" – 4" (DN 10 - 100)



Serie 2000

FULL BORE

Threaded according: DIN 259/2999 (GAS)



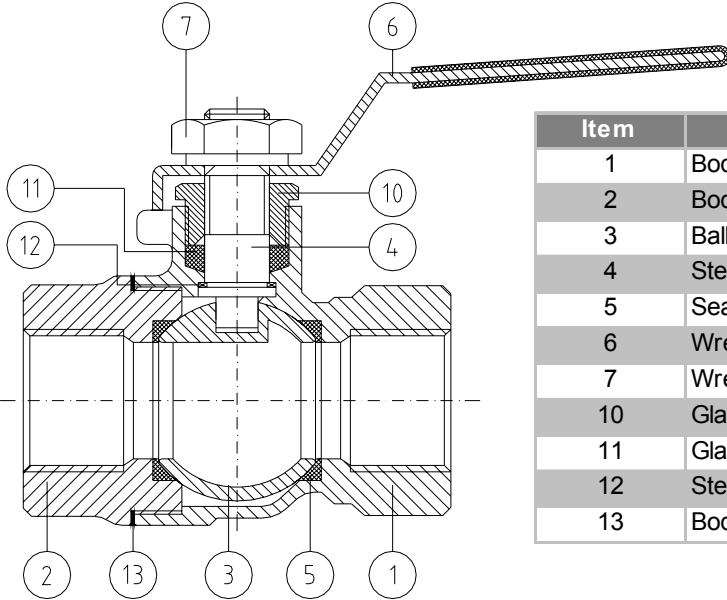
Comercial de Válvulas y Accesorios, S.A.
Poligono Industrial Polizur, Calle Bosc Tancat, 6 Nave 2 y 3
08290 Cerdanyola del valles (Barcelona) – Spain Tel. 34 93 586 36 00 Fax 34 93 586 36 04
e-mail: info@cva.es
URL: www.jlx-valve.com

Remarks: The dimensions of this catalogue are for reference only and it can change without previous notice

Brass Ball Valves 2 ways

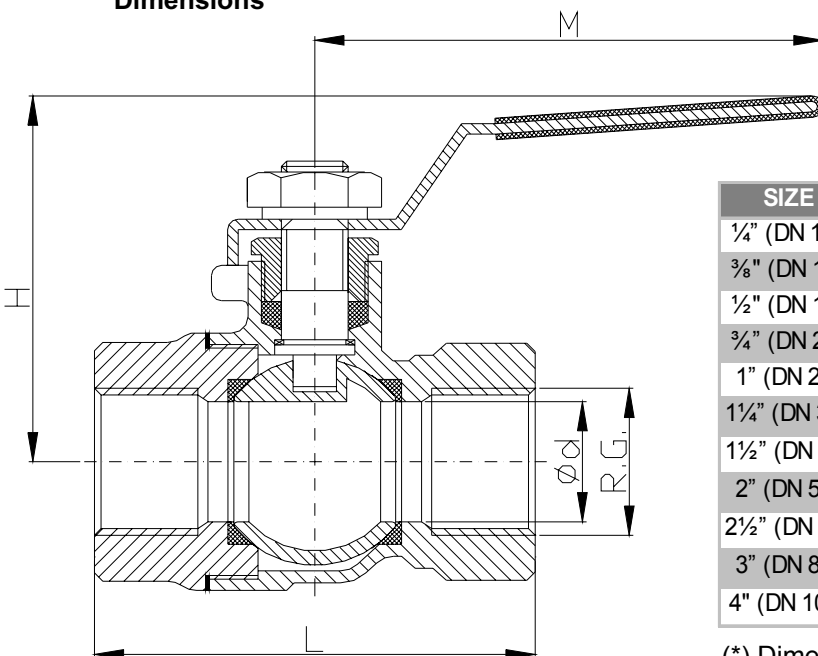
Parts and materials, Dimensions

Parts and materials



Item	Description	Material
1	Body	NICKEL PLATED BRASS 58
2	Body connector	NICKEL PLATED BRASS 58
3	Ball	Cr-Ni PLATED BRASS 58
4	Stem	PLATED BRASS 58
5	Seat ring	PTFE
6	Wrench	Fe 50 DACROMET
7	Wrench Nut	NICKEL PLATED BRASS 58
10	Gland	NICKEL PLATED BRASS 58
11	Gland packing	PTFE
12	Stem thrust seal	PTFE
13	Body connector seal	PTFE

Dimensions



SIZE	R.G.	Ød	L	M	H	WEIGHT
1/4" (DN 10)	1/4"	10	44	95	40,5	0,13
3/8" (DN 12)	3/8"	10	49	95	40,5	0,13
1/2" (DN 15)	1/2"	14	62	95	43	0,2
3/4" (DN 20)	3/4"	19	70	115	53	0,36
1" (DN 25)	1"	24	84	115	57	0,53
1 1/4" (DN 32)	1 1/4"	30	98	155	72,5	0,87
1 1/2" (DN 40)	1 1/2"	38	106	155	78,5	1,12
2" (DN 50)	2"	47	126	175	94	1,81
2 1/2" (DN 65)	2 1/2"	62	152	215	111,5	4
3" (DN 80)	3"	76	176	232	134	5,505
4" (DN 100)	4"	98	222	232	155	10,5

(*) Dimensions in mm and weight in kg.



Comercial de Válvulas y Accesorios, S.A.
 Poligono Industrial Polizur, Calle Bosc Tancat, 6 Nave 2 y 3
 08290 Cerdanyola del valles (Barcelona) – Spain Tel. 34 93 586 36 00 Fax 34 93 586 36 04
 e-mail: info@cva.es
 URL: www.jlx-valve.com

Remarks: The dimensions of this catalogue are for reference only and it can change without previous notice

Brass Ball Valves 2 ways

Torque, Kv, P&T Rating

Torque Values in Nm

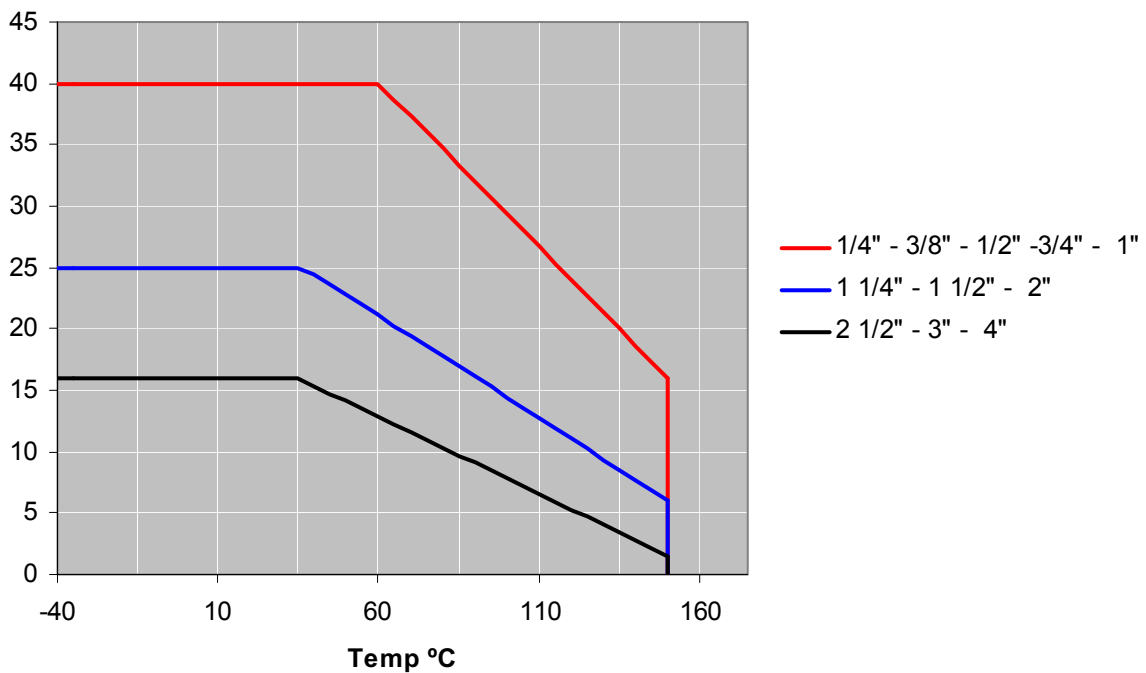
VALVE SIZE	AT DIFFERENTIAL PRESSURE	VALVE SIZE	AT DIFFERENTIAL PRESSURE
1/4" (DN 10)	2 (40 bar)	1 1/2" (DN 40)	20 (25 bar)
3/8" (DN 12)	2,7 (40 bar)	2" (DN 50)	33 (25 bar)
1/2" (DN 15)	5,4 (40 bar)	2 1/2" (DN 65)	47,4 (16 bar)
3/4" (DN 20)	8 (40 bar)	3" (DN 80)	80 (16 bar)
1" (DN 25)	10 (40 bar)	4" (DN 100)	105 (16 bar)
1 1/4" (DN 32)	14 (25 bar)		

Kv Values in m³/h

VALVE SIZE	Kv	VALVE SIZE	Kv
1/4" (DN 10)	5,2	1 1/2" (DN 40)	133,3
3/8" (DN 12)	5,6	2" (DN 50)	173,2
1/2" (DN 15)	15,6	2 1/2" (DN 65)	334,2
3/4" (DN 20)	25,1	3" (DN 80)	519,5
1" (DN 25)	44,2	4" (DN 100)	831,2
1 1/4" (DN 32)	66,7		

Pressure-Temperature

P Bar



Comercial de Válvulas y Accesorios, S.A.
 Poligono Industrial Polizur, Calle Bosc Tancat, 6 Nave 2 y 3
 08290 Cerdanyola del valles (Barcelona) – Spain Tel. 34 93 586 36 00 Fax 34 93 586 36 04
 e-mail: info@cva.es
 URL: www.jlx-valve.com

Remarks: The dimensions of this catalogue are for reference only and it can change without previous notice