

WAFER BUTTERFLY VALVE PTFE

Ref. : DS 1155

Rev. :

Date : 04/09

Page 1/5



SPECIFICATIONS :

- . Long neck for isolation
- . ISO 5211 mounting pad
- . Wafer type
- . Between flanges GN10-GN16-ASA150
- . Full crossing stem
- . PTFE sealing ring with silicone elastic gasket
- . Stainless steel PTFE coated disc
- . Rilsan coated body color RAL 5024 painting of 250-300 microns thickness
- . Locking device , handle with 9 positions

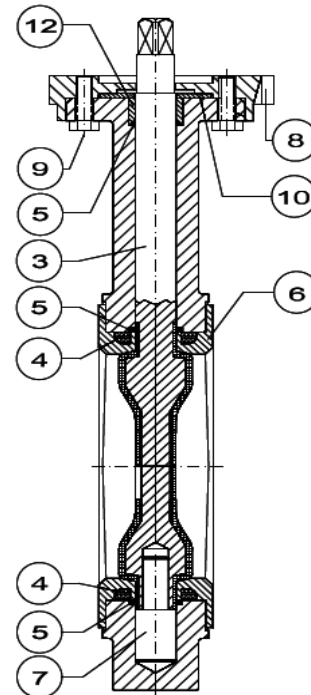
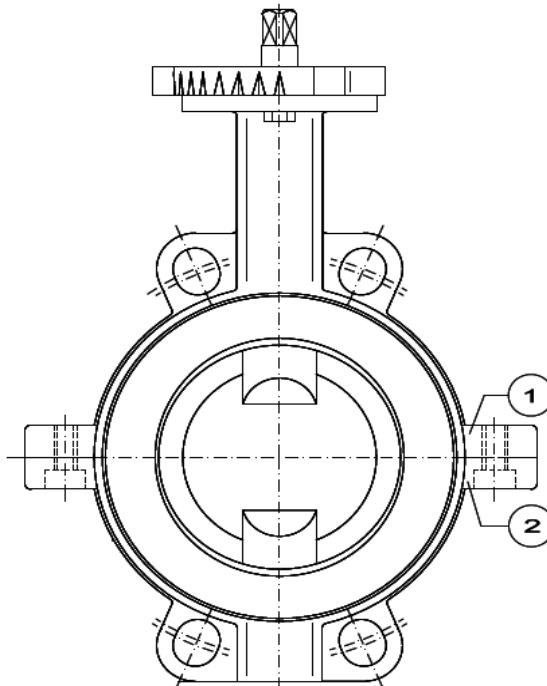
USE :

- . For all common fluids
- . Min. and max. Temperatures Ts : -25°C to +160°C
- . Max. Pressure Ps : 16 bars

RANGE :

- . With lever from DN50 to DN200
- . Gear box possible (Ref. 1197) from DN50 to DN200

MATERIALS :



N°	DESIGNATION	MATERIALS
1	Upper body	Cast iron EN-GJS 500-7
2	Lower body	Cast iron EN-GJS 500-7
3	Shaft+Disc PTFE coated	SS 316 + PTFE
4	Elastic gasket	Silicone
5	O-ring	FKM
6	Sealing ring	PTFE
7	Lower shaft	SS 316
8	Flange	Aluminium L-2521
9	Hexagonal screw	A4 DIN 933
10	Washer	SS 316
12	Socket	SS 316



WAFER BUTTERFLY VALVE PTFE

Ref. : DS 1155

Rev. :

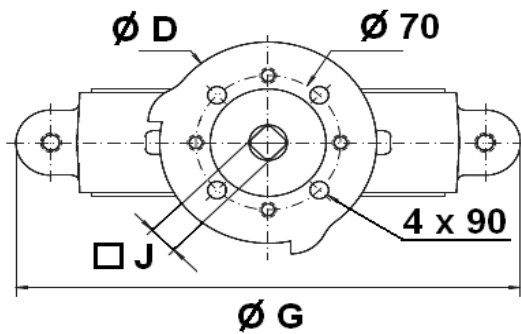
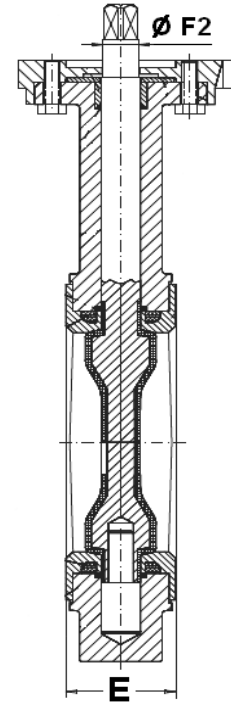
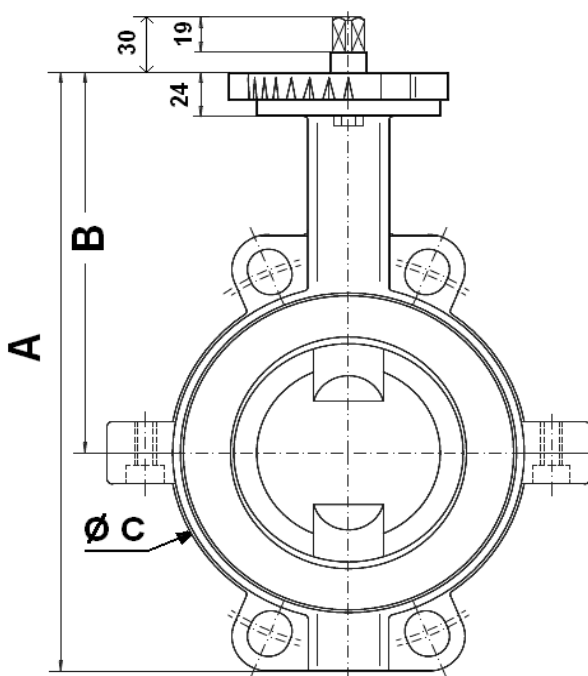
Date : 04/09

Page 2/5

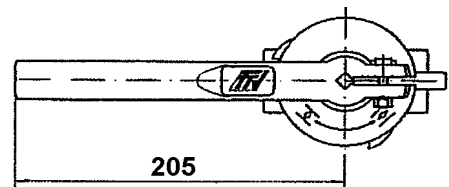


SIZE :

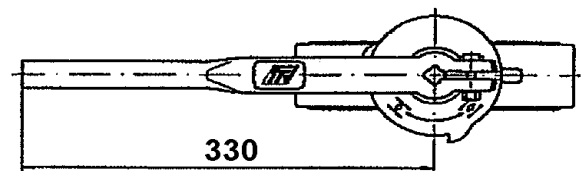
. Valves with lever



Lever size :



DN 50 - 100



DN 125 - 200

	DN	50	65	80	100	125	150	200
Ref.	A	226	242	262	290	326	348	438
1155	B	156	161	167	184	207	215	257
	C	103	117	134	150	185	205	270
	D	88	88	88	88	105	105	105
	E	43	46	46	52	56	56	60
	F2	10	14	16	16	18	18	22
	G	172	178	190	207	250	270	340
	J	8	9	11	11	14	14	17
	Weig.	4	4,5	5	6,5	9,5	10,5	17,5



WAFER BUTTERFLY VALVE PTFE

Ref. : DS 1155

Rev. :

Date : 04/09

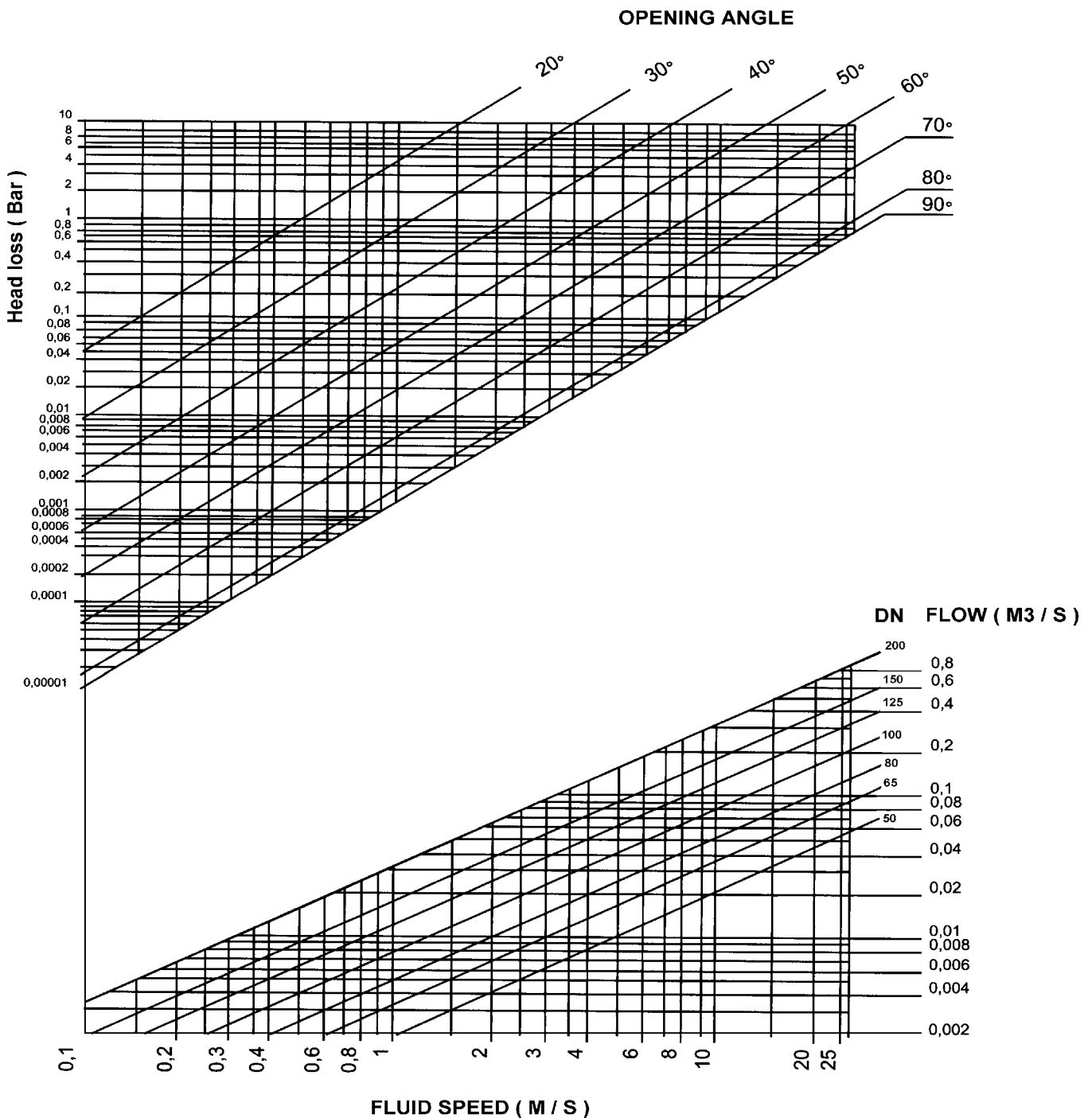
Page 4/5



TORQUE VALUE (in Nm with safety coefficient of 30% included) :

DN	50	65	80	100	125	150	200
PN10/16	11	20	29	47	82	130	210

HEAD LOSS :



WAFER BUTTERFLY VALVE PTFE

Ref. : DS 1155

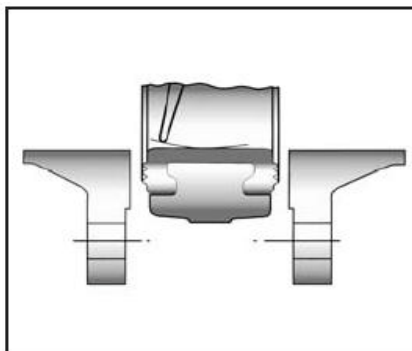
Rev. :

Date : 04/09

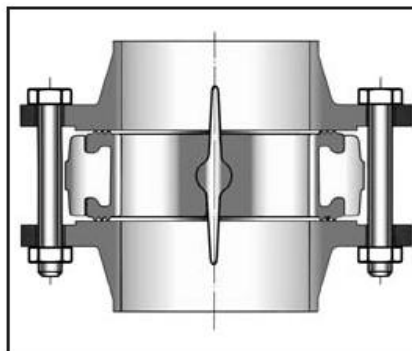
Page 5/5



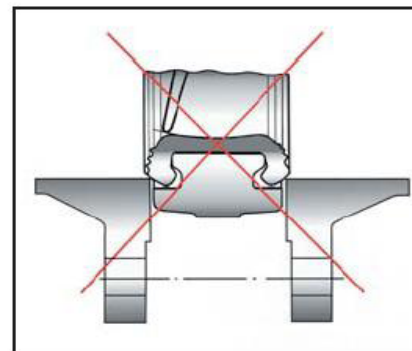
NECESSARY INSTRUCTIONS FOR GOOD USING :



Half open valve introduction



Complete opened disc valves
when screw tightening



Do not mount butterfly valves with stainless steel pressed collars and turning flanges.

And not on flat face flanges without strias (example : painted cast iron fittings)

STANDARDS :

- . DIRECTIVE 97/23/CE : CE 0409
- . Risk category III module B + C1

. Length according to ISO 5752 NF 29305

. Test according to ISO 5208

. ATEX Group II Category 2

