

# Ball Valve 2 ways ISO 5211 pad for actuators

Size ¼" – 4" (DN 8-100) Brass

---



## **FULL BORE** **Fig. 2500**

**Threaded according:**  
**DIN 259/2999 (GAS) or NPT**  
**ISO MOUNTING FLANGE**

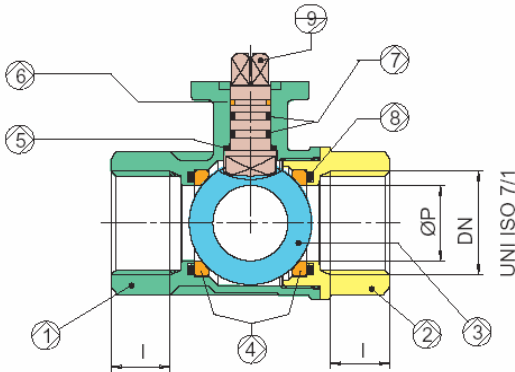


Comercial de Válvulas y Accesorios, S.A.  
Polígono Industrial Polizur, Calle Bosc Tancat, 6 Nave 2 y 3  
08290 Cerdanyola del valles ( Barcelona) – Spain Tel. 93 586 36 00 Fax 93 586 36 04  
e-mail: [info@cva.es](mailto:info@cva.es)  
URL: [www.jlx-valve.com](http://www.jlx-valve.com)

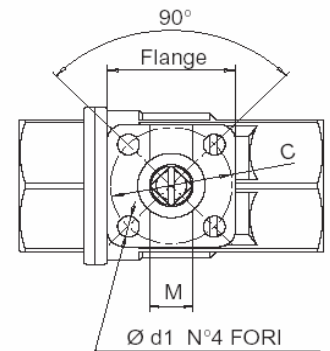
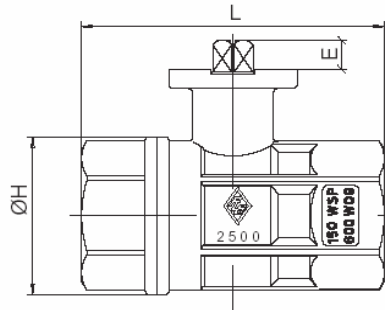
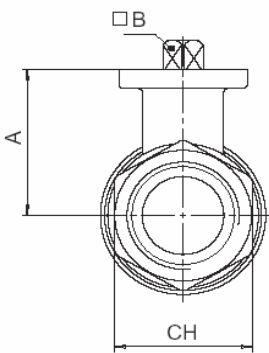
Remark: The dimensions of this catalogue are for reference only and it can change without previous notice.

# Ball Valve 2 ways ISO 5211 pad for actuators

Parts, materials and dimensions



Item	Description	Material
1	Body	CW617N UNI EN 12165
2	End connection	CW617N UNI EN 12165
3	Ball	CW617N UNI EN 12165
4	Ball seat	PTFE (TEFLON®)
5	Antifriction seat	PTFE (TEFLON®)
6	Stem seat	PTFE (TEFLON®)
7	O'Ring	FKM (VITON)
8	O'Ring	FKM (VITON)
9	Stem	CW614N UNI EN 12164



SIZE	Flange	A	B	C	d1	E	H	I	L	M	P	CH	PN
1/4" (DN 8)	38	33	9	36	6	9	33,5	11	67	13	14,2	27	40
3/8" (DN 10)	38	33	9	36	6	9	33,5	11,4	67	13	14,2	27	40
1/2" (DN 15)	38	33	9	36	6	9	33,5	11,4	67	13	14,2	27	40
3/4" (DN 20)	38	35	9	36	6	9	40	16,3	76	13	19	32	40
1" (DN 25)	38	45,5	9	36	6	9	49	19,1	90	13	24,2	41	40
1 1/4" (DN 32)	38	49	9	36	6	9	58,5	21,4	102	13	30	50	40
1 1/2" (DN 40)	50	64	11	50	7	11	71,5	21,4	114	21	38	55	40
2" (DN 50)	50	73,25	11	50	7	11	91,5	25,7	138	21	50,2	70	40
2 1/2" (DN65)	70	87	14	70	9	15	113	30,2	157	25	65	90	40
3" (DN80)	70	98	14	70	9	15	135	33,3	188	25	76	105	40
4" (DN100)	70	119,5	17	70	9	18	166	39,3	225	30	95	130	40

(\*)Dimensions in mm



Comercial de Válvulas y Accesorios, S.A.  
Polígono Industrial Polizur, Calle Bosc Tancat, 6 Nave 2 y 3  
08290 Cerdanyola del valles ( Barcelona) – Spain Tel. 93 586 36 00 Fax 93 586 36 04

e-mail: [info@cva.es](mailto:info@cva.es)  
URL: [www.jlx-valve.com](http://www.jlx-valve.com)

Remark: The dimensions of this catalogue are for reference only and it can change without previous notice.

# Ball Valve 2 ways

## ISO 5211 pad for actuators

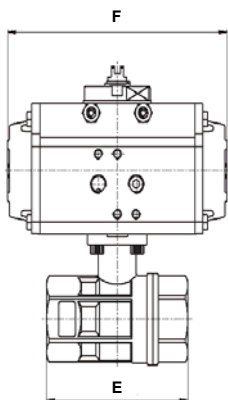
### Characteristics and Applications

<b>SPECIFICATIONS</b>	<b>2500</b>
<b>DESIGN STANDARDS</b>	
Thread Ends	Female-Female UNI ISO 7/1
Orifice	From mm 8 to mm 100
Maneuver	Fit for manoeuvre with actuator

<b>APPLICATION</b>
Assembly in rigid pipe system
Other specifications in the "Technical Specifications" catalogue
Nominal pressure (PN) in bar
For temperature >80°C see diagram in the "Technical Specifications" catalogue
KV: flow coefficient in m <sup>3</sup> /h at differential pressure of 100 kPa
Temperature range: -20°C +160°C
Direction of flow : both directions
We recommend the valve use in fully open or closed, not in mid position, and to manoeuvre the valve at least twice a year.

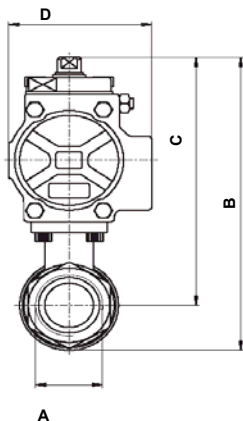
<b>OPTION AVAILABLE</b>
<b>2530 Stainless steel ball and stem</b>

### Double Acting Actuator



SIZE	C	B	D	E	F	ACT
1/4" (DN 8)	129	145,75	76	67	145	ADA-20
3/8" (DN 10)	129	145,75	76	67	145	ADA-20
1/2" (DN 15)	129	145,75	76	67	145	ADA-20
3/4" (DN 20)	131	151	76	76	145	ADA-20
1" (DN 25)	141,5	166	76	90	145	ADA-20
1"1/4 (DN 32)	145	174,25	76	102	145	ADA-20
1"1/2 (DN 40)	160	195,75	76	114	145	ADA-20
2" (DN 50)	188,25	234	91	138	158	ADA-40
2,1/2" (DN 65)	202	258,5	91	165	158	ADA-40
3" (DN 80)	235	302,5	111	188	177	ADA-80
4" (DN 100)	266,5	349,5	122	225	196	ADA-130

### Spring Return Actuator



SIZE (A)	C	B	D	E	F	ACT
1/4" (DN 8)	129	145,75	76	67	163	ASR-20
3/8" (DN 10)	129	145,75	76	67	163	ASR-20
1/2" (DN 15)	129	145,75	76	67	163	ASR-20
3/4" (DN 20)	131	151	76	76	163	ASR-20
1" (DN 25)	141,5	166	76	90	163	ASR-20
1"1/4 (DN 32)	145	174,25	76	102	163	ASR-20
1"1/2 (DN 40)	179	214,75	91	114	195	ASR-40
2" (DN 50)	188,25	234	91	138	195	ASR-40
2,1/2" (DN 65)	224	280,5	111	165	217	ASR-80
3" (DN 80)	235	302,5	111	188	217	ASR-80
4" (DN 100)	266,5	349,5	122	225	258	ASR-130



Comercial de Válvulas y Accesorios, S.A.  
 Polígono Industrial Polizur, Calle Bosc Tancat, 6 Nave 2 y 3  
 08290 Cerdanyola del valles ( Barcelona) – Spain Tel. 93 586 36 00 Fax 93 586 36 04

e-mail: [info@cva.es](mailto:info@cva.es)  
 URL: [www.jlx-valve.com](http://www.jlx-valve.com)

Remark: The dimensions of this catalogue are for reference only and it can change without previous notice.