

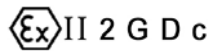
Ball Valves PN 100 (Class 600) AIN & IIN Construction (Carbon & Stainless Steel)



Fig. 560

API 6D and Fire Safe

Manufacturing program:



LICENSE NO. 6D-0197

Quality & Environmental Management:



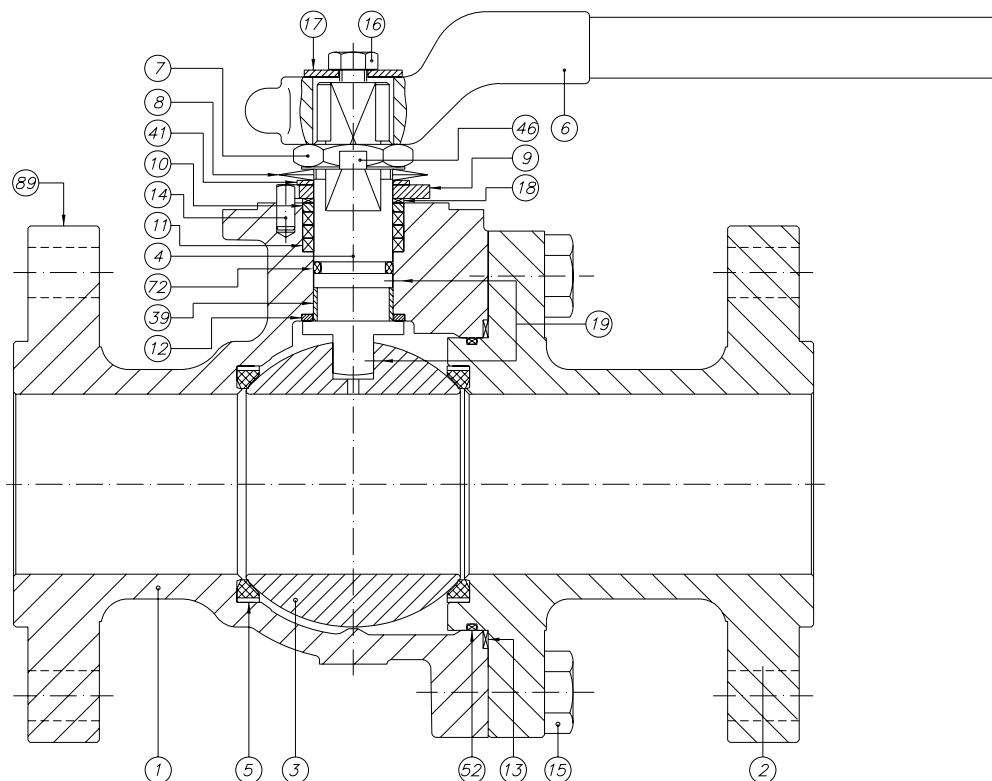
Comercial de Válvulas y Accesorios, S.A.
Polígono Industrial Polizur, Calle Bosc Tancat, 6 Nave 2 y 3
08290 Cerdanyola del valles (Barcelona) – Spain Tel. 34 93 586 36 00 Fax 34 93 586 36 04
e-mail: info@cva.es
URL: www.jlx-valve.com

Remarks: The dimensions of this catalogue are for reference only and it can change without previous notice

Ball Valves PN 100 (Class 600)

DN 50 - 100 (2" - 4")

Parts and materials



Item	Description	Material	
		AIN	IIN
1	Body	A 216 Gr. WCB (C ≤ 0,25%)	A 351 Gr. CF8M
2	Body connector	A 216 Gr. WCB (C ≤ 0,25%)	A 351 Gr. CF8M
3	Ball	A 351 Gr. CF8M	
4	Stem	A 479 Tp.316	
5	Seat ring	Nylon	
6	Wrench	Nodular iron	
7	Gland nut	Zinc plated carbon steel	AISI 303
8	Disk spring	Carbon steel	E.N.P. Carbon steel
9	Stop plate	Carbon steel	AISI 304
10	Gland	AISI 303	AISI 316
11	Gland packing	Graphite	
12	Stem thrust seal	25% G.F. PTFE	
13	Body connector seal	AISI 316L + Graphite	
14	Stop pin	Carbon steel	Stainless steel
15	Bolt	A 193 Gr. B7M	A 193 Gr. B8M
16	Bolt	DIN 933 5.6 Zinc plated	DIN 933 A2
17	Washer	Zinc plated carbon steel	AISI 304
18	Thrust washer	25% G.F. PTFE	
19	Antistatic device	Stainless steel	Stainless steel
39	Stem bushing	25% G.F. PTFE	
41	Spacer	Carbon St.	AISI 304
46	Locking washer	AISI 304	
52	"O" Ring	FKM	
72	"O" Ring	FKM	
89	Identification plate	Stainless steel	



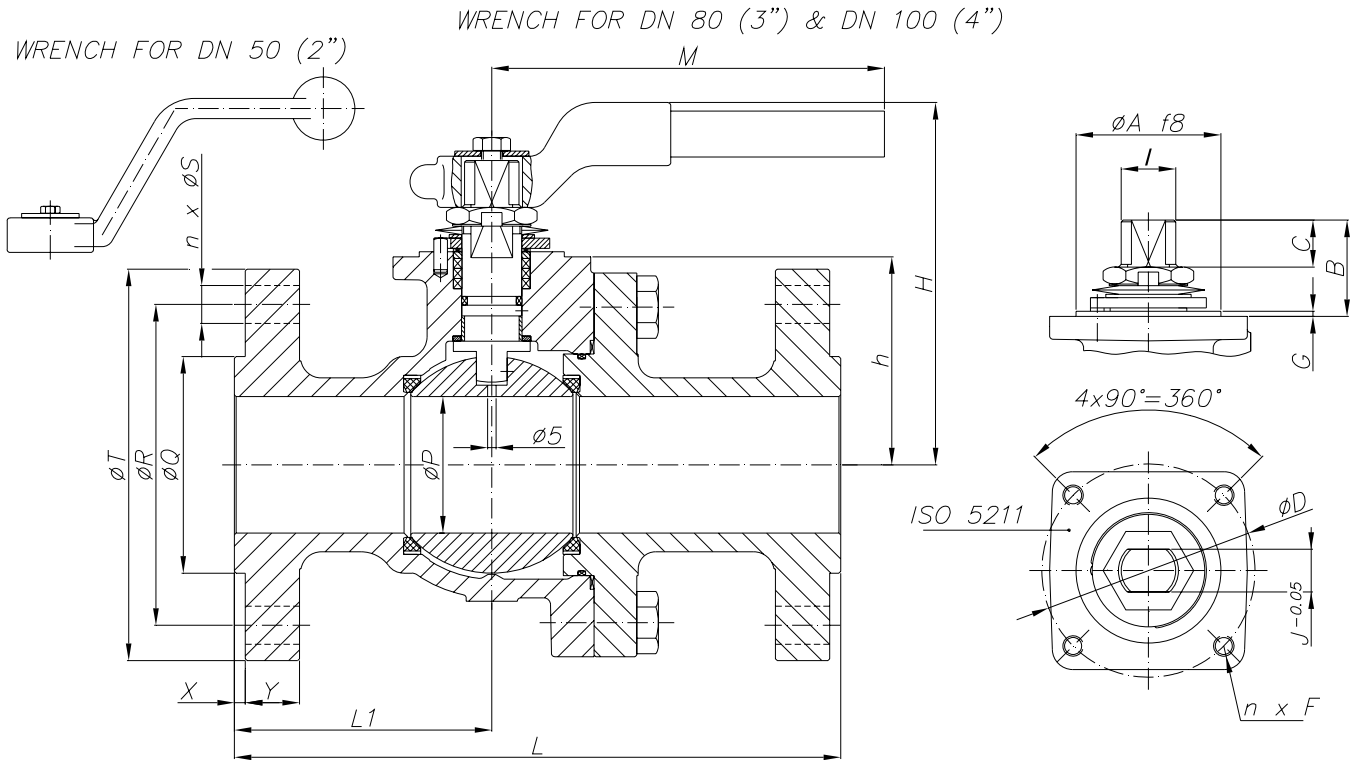
Comercial de Válvulas y Accesorios, S.A.
 Polígono Industrial Polizur, Calle Bosc Tancat, 6 Nave 2 y 3
 08290 Cerdanyola del valles (Barcelona) – Spain Tel. 34 93 586 36 00 Fax 34 93 586 36 04
 e-mail: info@cva.es
 URL: www.jlx-valve.com

Remarks: The dimensions of this catalogue are for reference only and it can change without previous notice

Ball Valves PN 100 (Class 600)

DN 50 - 100 (2" – 4")

Dimensions



Valve with wrench

DN	ϕP	L	L1	ϕQ	ϕR	$n \times \phi S$	ϕT	X	Y	h	M	H	WEIGHT
50 (2")	50	292	120	92	127	8x19	165	6.4	25,4	84,5	450	176,3	29
80 (3")	80	356	151	127	168,3	8x22,3	209,5	6,4	31,8	122	715	211,5	42
100 (4")	100	432	172	157	215,9	8x25.4	273	6.4	38,1	139	715	232,5	78

(*) Dimensions in mm and weight in kg.

Actuator connection

DN	ISO 5211	ϕA	B	C	ϕD	$n \times F$	G	I	J
50 (2")	F10	70	45	19,2	102	4xM10	3	M25x1.5	18
80 (3")	F12	85	55,5	26,7	125	4xM12	3	M35x2	25
100 (4")	F12	85	55	26,2	125	4xM12	3	M35x2	25

(*) Dimensions in mm and weight in kg.



Ball Valves PN 100 (Class 600)

DN 50 - 100 (2" – 4")

General Characteristics, Torque&KV, P&T Rating

GENERAL CHARACTERISTICS	Fig.560, Series SFF	S plit Body	F loating Ball	F ull Bore	
DESIGN STANDARDS					
Valves design	API 6D	ASME B16.34	BS 5351	NF E 29-470	
Body design	ASME VIII Div.1				
Shell thickness	ASME B16.34	BS 5351			
Flanges	ASME B16.5 Raised face				
Face to face dimensions	ASME B16.10 Long pattern	API 6D	EN 558-2 Series 5		
Actuator mounting flange	ISO 5211				
Wetted parts materials and bolting	NACE MR.01.75				
Shell finishing quality	MSS SP 55				
Marking	API 6D	BS 5351	NF E 29-470	CE - PED	EN 19
TESTS AND CERTIFICATES					
Quality Assurance	ISO 9001	API Q1	CE - PED		
Fire Safe certification	BS 6755 Part 2	API 6FA	ISO 10497		
Pressure testing	API 598	BS 6755 Part 1	ISO 5208	NF E 29-203	EN 12266
Other	ISO 14001	ATEX			

Torque Values in Nm

VALVE SIZE	AT DIFFERENTIAL PRESSURE	
	Class 600 100 bar	
DN 50 (2")	135	
DN 80 (3")	325	
DN 100 (4")	450	

Kv Values in m³/h

DN 50 (2")	DN 80 (3")	DN 100 (4")
270	1000	1650

Pressure-Temperature

For A216 Gr. WCB only. For other materials consult ASME B16.34

