

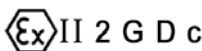
# Ball Valves PN 16/40 AIT & IIT Construction (Carbon & Stainless Steel)



## Fig. 1516/1540

**DIN 3357 and Fire Safe (On request)**

Manufacturing program:



Quality & Environmental Management:



Authorized Distributor



Comercial de Válvulas y Accesorios, S.A.  
Polígono Industrial Polizur, Calle Bosc Tancat, 6 Nave 2 y 3  
08290 Cerdanyola del valles ( Barcelona) – Spain Tel. 93 586 36 00 Fax 93 586 36 04  
e-mail: [info@cva.es](mailto:info@cva.es)  
URL: [www.cva.es](http://www.cva.es)

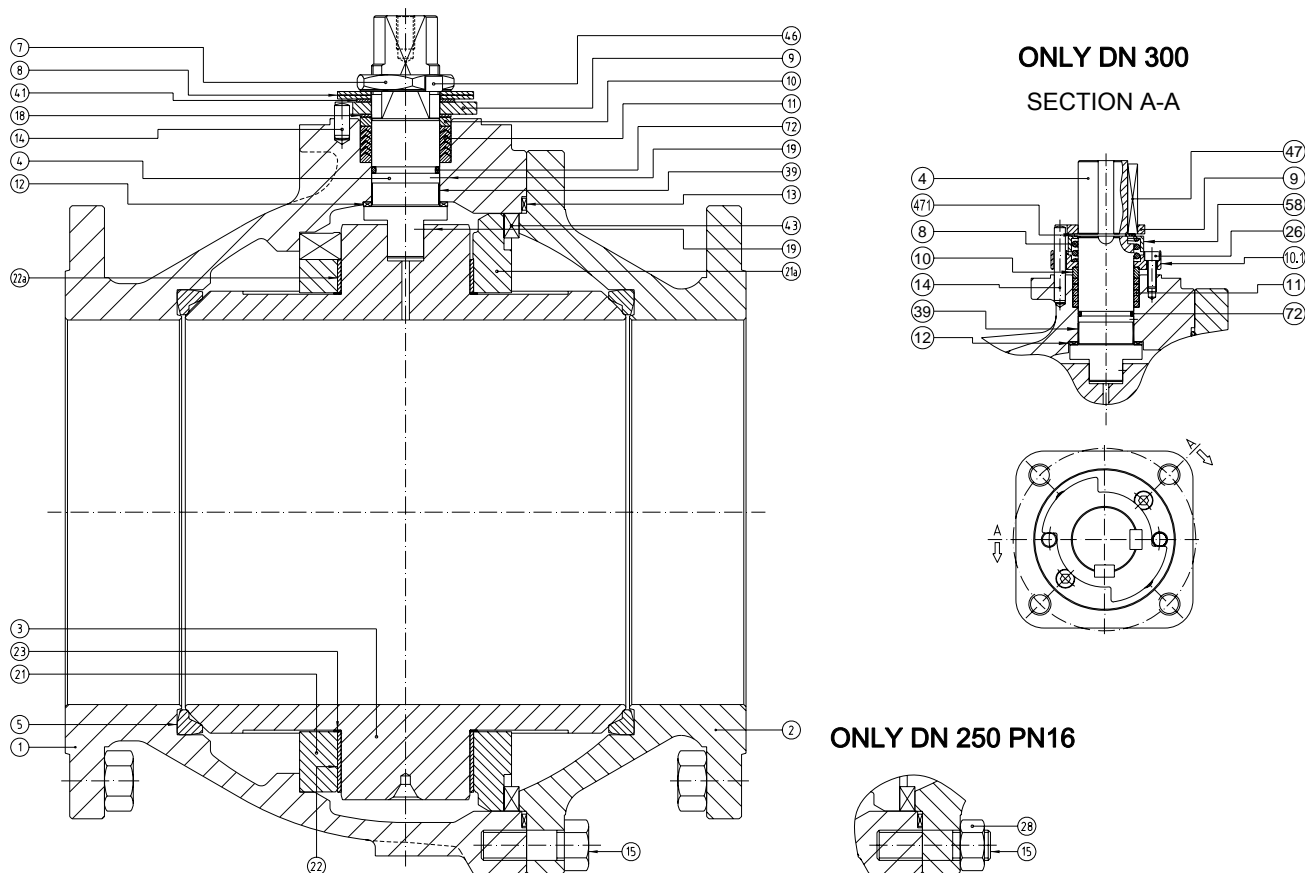
Nota: Las medidas del presente catalogo son orientativas y pueden variar sin previo aviso

# Ball Valves PN16/40

## DN 250 - 300 PN 16

## DN 200 - 300 PN 40

### Parts and materials



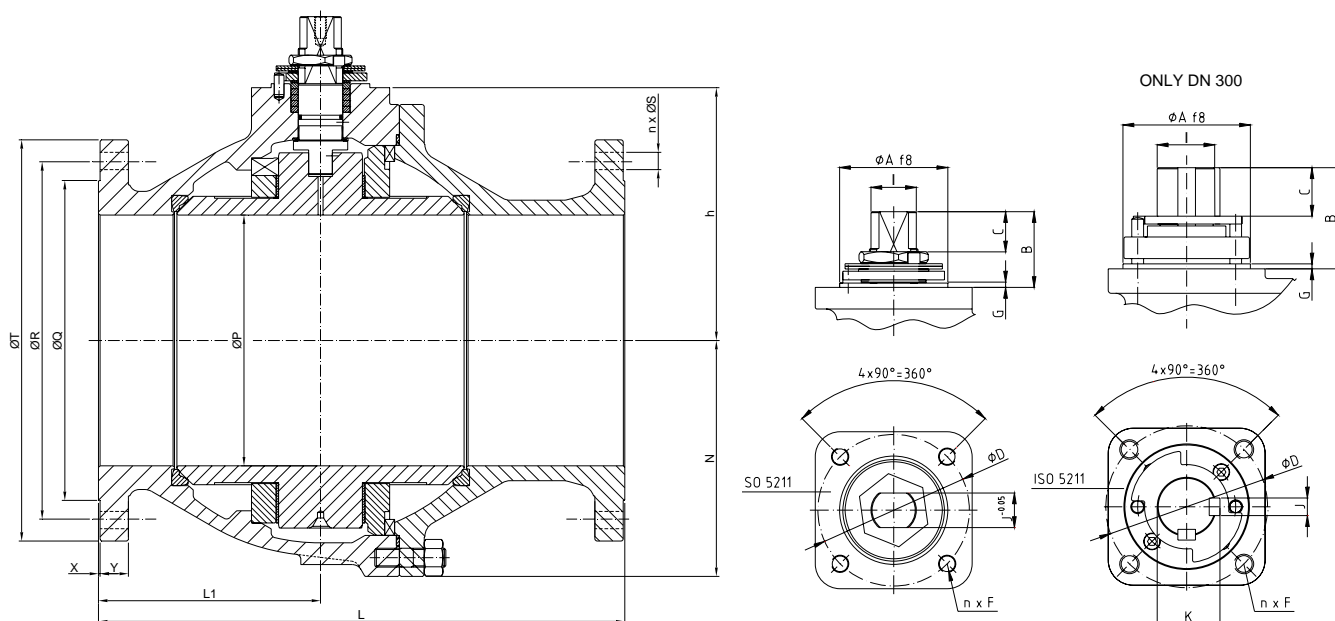
ITEM	DESCRIPTION	MATERIAL		ITEM	DESCRIPTION	MATERIAL	
		AIT	IIT			AIT	IIT
1	Body	1.0619	1.4408	21/21a	Ball Trunnion	A 351 Gr. CF8M	
2	Body connector	1.0619	1.4408	22/22a	Trunnion Bearing	PTFE + 50% SS	
3	Ball	A 351 Gr. CF8M		23	Bearing	PTFE	
4	Stem	A 479 Tp.316		26	Bolt	DIN 912 8.8 Zinc plated	DIN 912 A4-70
5	Seat ring	PTFE		28	Nut (Only DN250 PN16)	DIN 934 8 Zinc plated	DIN 934 A4-70
7	Gland nut	Zinc plated carbon steel	AISI 303	39	Stem Bushing	25% G.F. PTFE ***	
8	Disk spring	Carbon St.	EN.P. Carbon St.	41	Spacer	Carbon St.	Stainless St.
9	Stop plate	Carbon St.	AISI 304	43	Key	AISI 316	
10	Gland	AISI 303	AISI 316	46	Locking washer	AISI 304	
10.1	Gland	AISI 303	AISI 316	47	Key	AISI 316	
11	Gland packing	PTFE *		58	Spring Protection	Carbon St.	Stainless St.
12	Stem thrust seal	25% G.F. PTFE		72	O Ring	FKM	
13	Body connector seal	PTFE **		89	Identification plate	Stainless St.	
14	Stop pin	Carbon St.	Stainless St.	471	Retainer	Carbon St.	Stainless St.
14.1	Pin	Stainless St		* Graphite in Fire-Safe construction			
15	Bolt (Stud Only DN250 PN16)	DIN 933 A4-70		** AISI 316L + Graphite in Fire-Safe construction			
18	Thrust washer	25% G.F. PTFE		*** AISI 316 + PTFE only in DN300 (12")			
19	Antistatic device	Stainless St.					

# Ball Valves PN16/40

## DN 250 - 300 PN 16

## DN 200 - 300 PN 40

### Dimensions



#### Serie 1516 (PN 16)

DN	ØP	L	L1	ØQ	ØR	n x ØS	ØT	X	Y	h	N	WEIGHT
250	254	450	225	320	355	12x26	405	2	26	256	239	223
300	305	500	245	378	410	12x26	460	2	28	297	287,5	323

(\*) Dimensions in mm and weight in kg.

#### Serie 1540 (PN 40)

DN	ØP	L	L1	ØQ	ØR	n x ØS	ØT	X	Y	h	N	WEIGHT
200	203	400	200	285	320	12x30	375	2	34	233	208	162
250	254	450	199	345	385	12x33	450	2	38	256	252,5	264
300	305	500	240	410	450	16x33	515	2	42	310	300	440

(\*) Dimensions in mm and weight in kg.

#### Actuator connection

DN	PN	ISO 5211	ØA	B	C	ØD	n x F	G	I	J	K
200	16 / 40	F14	100	72	39	140	4xM16	4	M45x2	32	---
250	16 / 40	F14	100	72	39	140	4xM16	4	M45x2	32	---
300	16	F14	100	106	58	140	4xM16	3	50	14	53,5
300	40	F16	130	103	49,35	165	4xM20	5	60	18	64,2

(\*) Dimensions in mm.

**Ball Valves PN16/40**

DN 250 - 300 PN 16

DN 200 - 300 PN 40

**General Characteristics, Torque & KV, P&T Rating**

GENERAL CHARACTERISTICS	Fig.1516/1540 Series <b>SBF</b>	<b>S</b> plit Body	Trunnion <b>B</b> all	<b>F</b> ull Bore
<b>DESIGN STANDARDS</b>				
Valves design	DIN 3357	EN 1983		
Body design	DIN 3840			
Shell thickness	BS 5351			
Flanges	DIN 2501	EN 1092-1		
Face to face dimensions	DIN 3202 F18	EN 558-1 Series 27		
Actuator mounting flange	ISO 5211			
Shell finishing quality	MSS SP55			
Marking	BS 5351	EN 19	CE - PED	
<b>TESTS AND CERTIFICATES</b>				
Quality Assurance	ISO 9001	CE - PED		
Fire Safe certification	BS 6755 Part 2	ISO 10497		
Pressure testing	DIN 3230	BS 6755 Part 1	EN 12266	NF E 29-203
Other	ISO 14001	ATEX		

**Torque Values in Nm**

VALVE SIZE	AT DIFFERENTIAL PRESSURE	
	PN 16	PN 40
DN 200	--	1000
DN 250	1120	1400
DN 300	1800	2300

**Kv Values in m<sup>3</sup>/h**

DN 200	DN 250	DN 300
9000	15000	20800

**Pressure-Temperature***For 1.0619 only. For other materials consult EN 1092-1***P Bar**