

# Ball Valves PN 40 / PN 16 IIT Construction (Stainless Steel)

---



**Fig. 156 PN16 IIT**  
**Fig. 154 PN40 IIT**



Comercial de Válvulas y Accesorios, S.A.  
Poligono Industrial Polizur, Calle Bosc Tancat, 6 Nave 2 y 3  
08290 Cerdanyola del valles ( Barcelona ) – Spain Tel. 34 93 586 36 00 Fax 34 93 586 36 04  
e-mail: [info@cva.es](mailto:info@cva.es)  
URL: [www.jlx-valve.com](http://www.jlx-valve.com)

Remarks: The dimensions of this catalogue are for reference only and it can change without previous notice

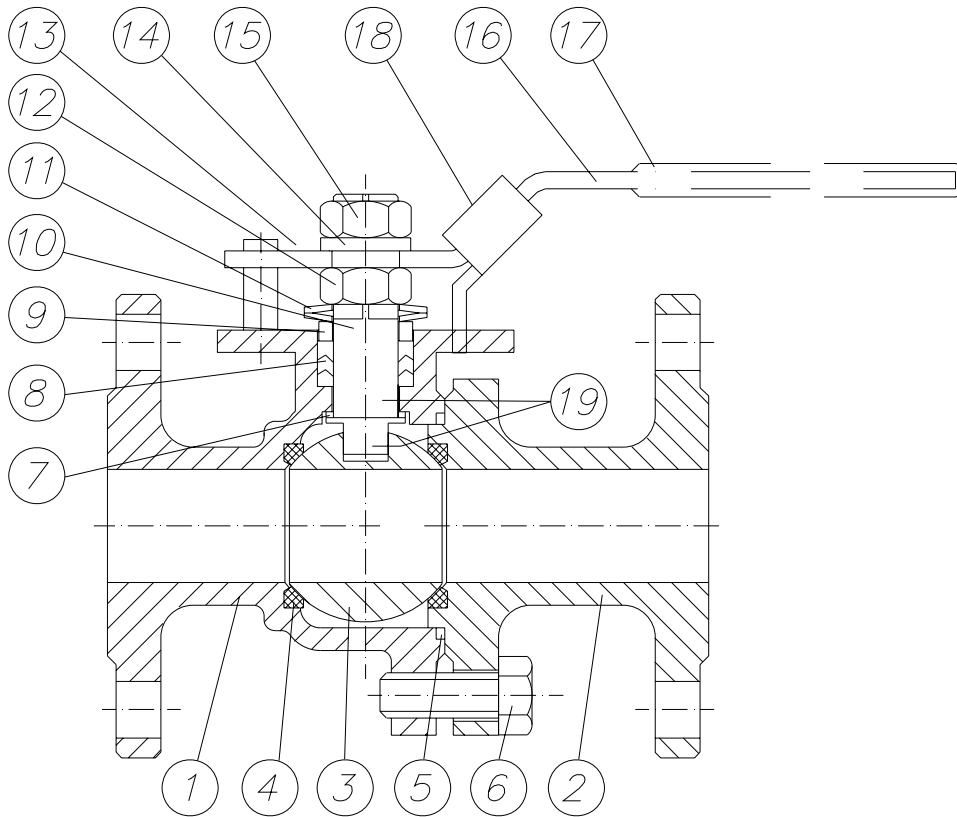
Page 1 / 4

SERIES  
SFF

# Ball Valves PN 40 / PN 16

## IIT Construction

### Parts and materials



Item	Description	Material
1	Body	1.4408
2	Cap	1.4408
3	Ball	1.4408
4	Body seat	PTFE
5	Body seal	PTFE
6	Bolt	AISI 304
7	Thrust washer	PTFE
8	Stem packing	PTFE
9	Gland ring	AISI 304
10	Stem	AISI 316
11	Belleville disc	AISI 301
12	Stem nut	AISI 304
13	Stop pin	AISI 304
14	Handle washer	AISI 304
15	Handle nut	AISI 304
16	Handle	AISI 304
17	Handle sleeve	Plastic
18	Locking device	AISI 304
19	Antistatic device	Stainless Steel



# Ball Valves PN 40 / PN 16

## IIT Construction

### Dimensions

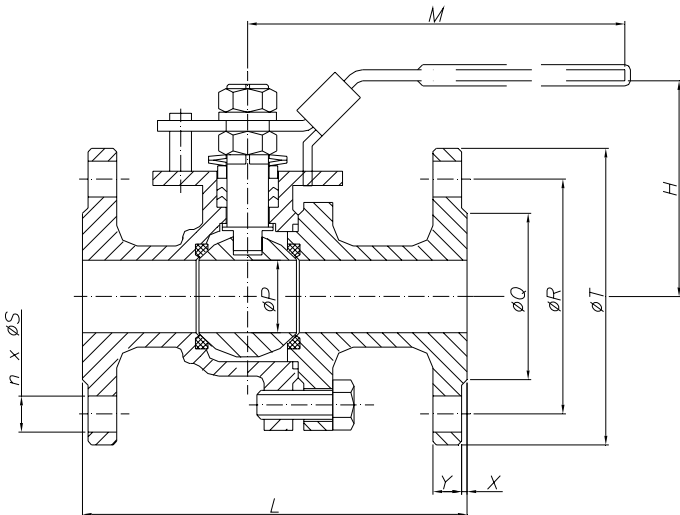


Fig. 154 (PN 40)

DN	øP	L	øQ	øR	n x øS	øT	X	Y	H	M	Weight
15	15	115	45	65	4 x 14	95	2	14	84	172	2,38
20	20	120	58	75	4 x 14	105	2	16	89	172	3
25	25	125	68	85	4 x 14	115	2	16	90	185	3,7
32	32	130	78	100	4 x 18	140	2	16	100	185	5,6
40	40	140	88	110	4 x 18	150	2	16	109	226	9,24
50	50	150	102	125	4 x 18	165	2	18	120	270	9,42

(\*) Dimensions in mm and weight in kg.

Fig. 156 (PN 16)

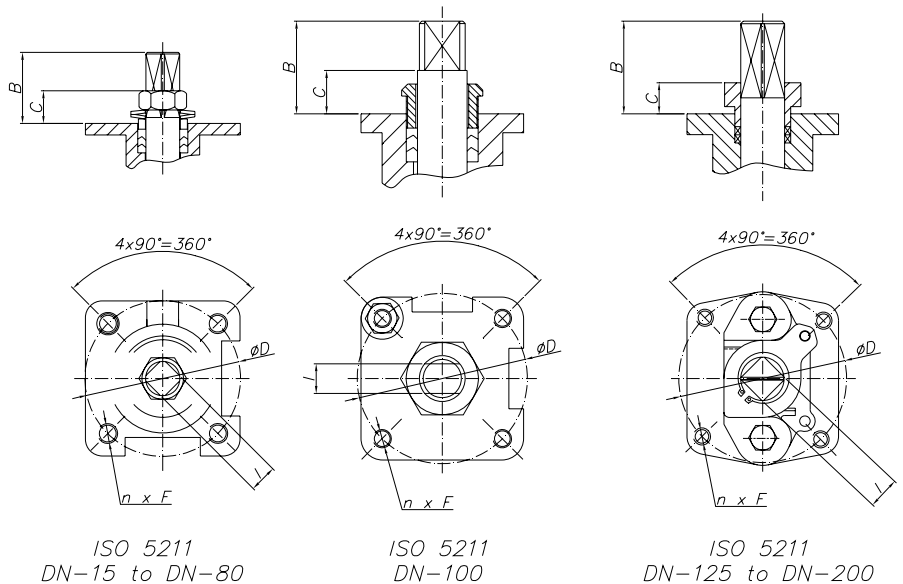
DN	øP	L	øQ	øR	n x øS	øT	X	Y	H	M	Weight
65	65	170	122	145	4 x 18	185	2	16	135	301	12,8
80	80	180	138	160	8 x 18	200	2	18	153	301	16,4
100	98	190	158	180	8 x 18	220	2	18	194	285	23,7
125	125	325	188	210	8 x 18	250	2	20	225	750	43,5
150	150	350	212	240	8 x 22	285	2	20	275	750	54,8
200	200	400	268	295	12 x 22	340	2	22	340	1000	93

(\*) Dimensions in mm and weight in kg.

#### Actuator connection

DN	ISO 5211	B	C	øD	n x F	l
15	F04	22	7,5	42	4 x M5	11
20	F04	20	7,5	42	4 x M5	11
25	F04	23	7,5	42	4 x M5	11
32	F05	23	6,8	50	4 x M6	17
40	F05	37	11,5	50	4 x M6	17
50	F07	35	11,5	70	4 x M8	17
65	F07	39	11,5	70	4 x M8	17
80	F07	35	10,2	70	4 x M8	17
100	F10	47	11	102	4 x M10	16
125	F12	63	27	125	4 x M12	23,9
150	F12	60	27	125	4 x M12	23,9
200	F12	69	33	125	4 x M12	32

(\*) Dimensions in mm.



ISO 5211  
DN-15 to DN-80

ISO 5211  
DN-100

ISO 5211  
DN-125 to DN-200



# Ball Valves PN 40 / PN 16

## IIT Construction

### General Characteristics, Torque, P&T Rating

GENERAL CHARACTERISTICS	Fig. 154 & 156 Series <b>SFF</b>	<b>Split Body</b>	<b>Floating Ball</b>	<b>Full Bore</b>
<b>DESIGN STANDARDS</b>				
Valves design	DIN 3357			
Body design	DIN 3840			
Flanges	EN 1092-2 (DIN 2501)			
Face to face dimensions	EN 558-1 Series 27 (DIN 3202 F4 / F5 / F18)			
Actuator mounting flange	DIN 3337	ISO 5211		
Marking	EN 19			
<b>TESTS AND CERTIFICATES</b>	2.2			
Quality Assurance	ISO 9001			
Pressure testing	EN 12266-1			

#### Torque Values in Nm

VALVE SIZE	AT DIFFERENTIAL PRESSURE		VALVE SIZE	AT DIFFERENTIAL PRESSURE	
	40 bar			40 bar	
15	7		32	17,6	
20	7		40	38,5	
25	11		50	55	

VALVE SIZE	AT DIFFERENTIAL PRESSURE		VALVE SIZE	AT DIFFERENTIAL PRESSURE	
	16 bar			16 bar	
65	66		125	143	
80	71,5		150	176	
100	77		200	495	

Given torques with clean water at ambient temperature.

#### Pressure-Temperature

