

**Butterfly Valves Type Wafer & Lug  
7 bar (100 psi) - 10 bar (150 psi)  
DN 50 - 300 (Size 2" – 12")**

---



**Fig. NP  
TYPE WAFER  
TYPE LUG  
PTFE Seat**

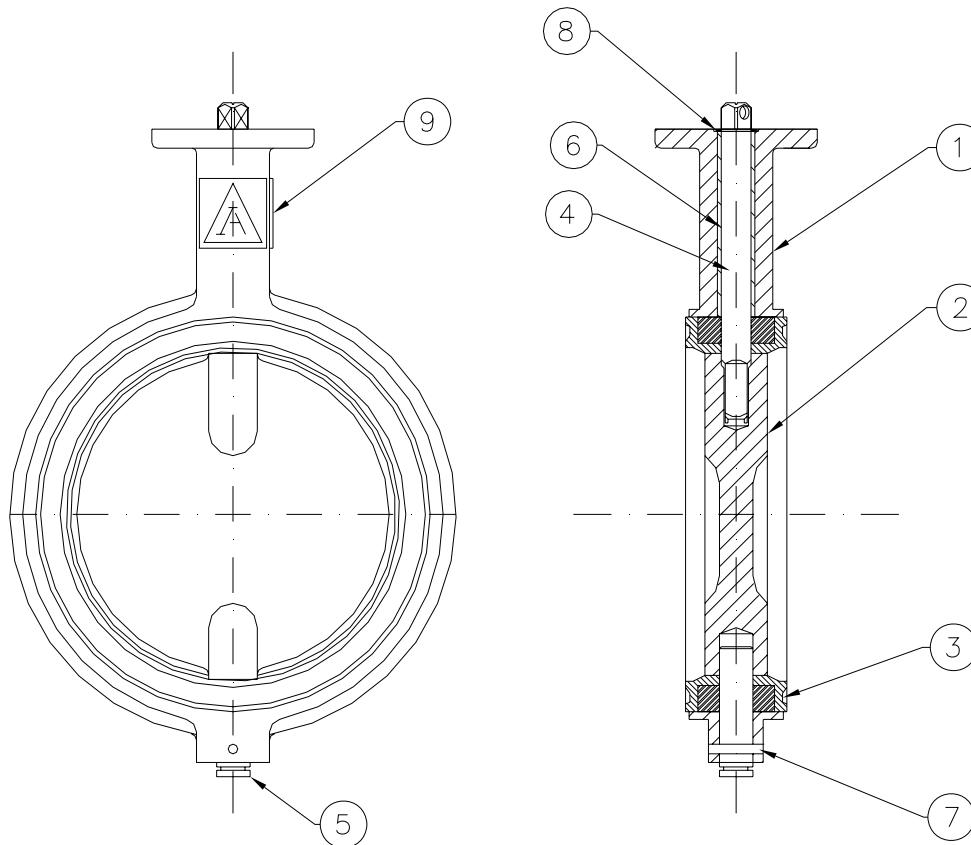


# Butterfly Valves Type Wafer & Lug

## 7 bar (100 psi) - 10 bar (150 psi)

### Parts and materials

#### Parts and materials



Item	Description	Material
1	Body	ASTMA 536 Gr. 65-45-12
2	Disc	ASTMA 351 Gr. CF8M *
3	Seat	PTFE
4	Upper stem	ASTMA 276 Type 410
5	Lower stem	ASTMA 276 Type 410
6	Bearing	Polypropylene
7	Pin	Carbon Steel
8	Retainer ring	Carbon Steel
9	Identification plate	Aluminium

\* On request E-CTFE (Halar) lined



Comercial de Válvulas y Accesorios, S.A.  
 Poligono Industrial Polizur, Calle Bosc Tancat, 6 Nave 2 y 3  
 08290 Cerdanyola del valles ( Barcelona) – Spain Tel. 34 93 586 36 00 Fax 34 93 586 36 04  
 e-mail: [info@cva.es](mailto:info@cva.es)  
 URL: [www.ilx-valve.com](http://www.ilx-valve.com)

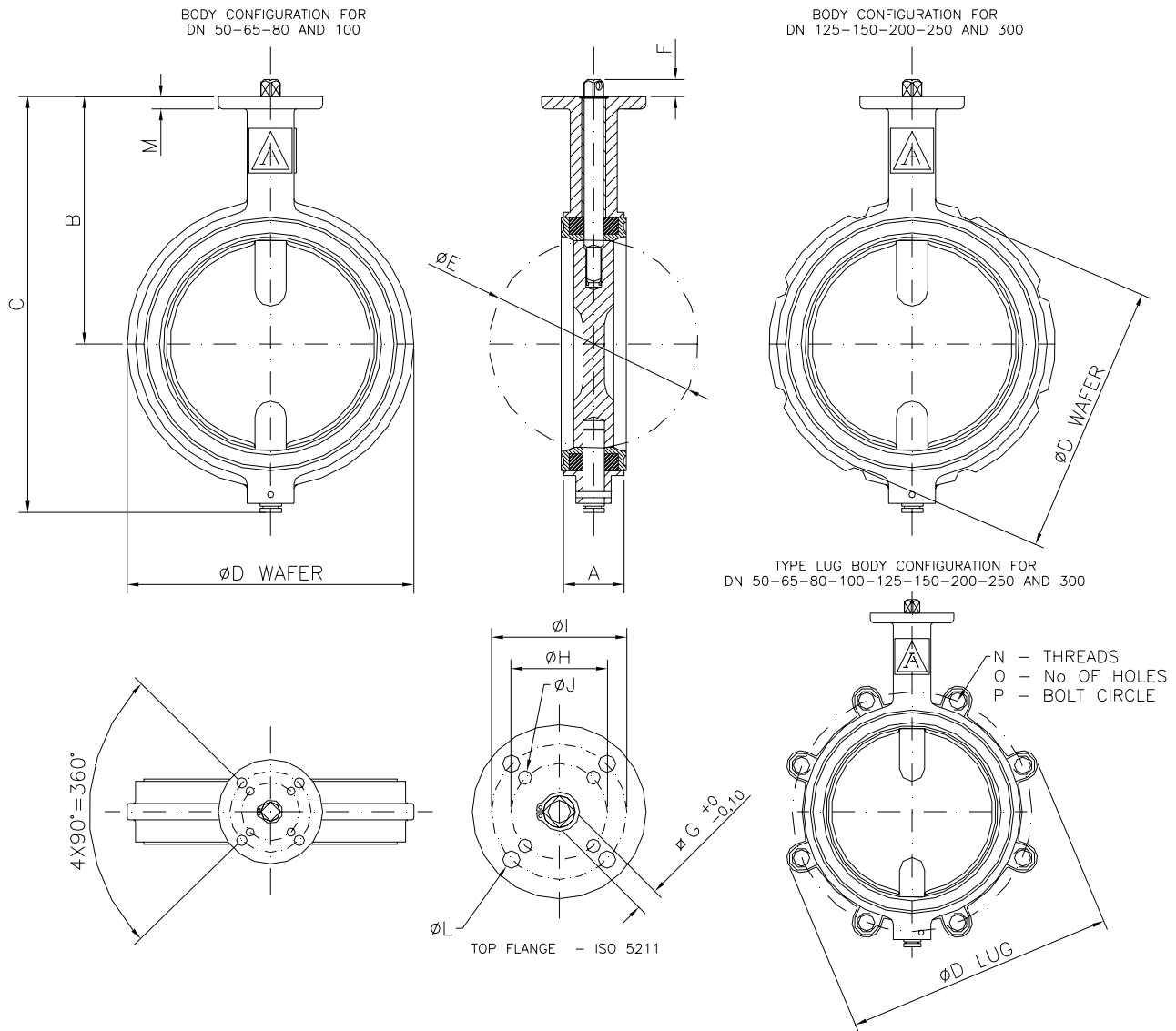
Remarks: The dimensions of this catalogue are for reference only and it can change without previous notice

# Butterfly Valves Type Wafer & Lug

## 7 bar (100 psi) - 10 bar (150 psi)

### Dimensions

#### Dimensions



SIZE	A	B	C	øD WAFER	øD LUG	øE	F	G	øH	øI	øJ	øL	M	N	O	P
DN 50 (2")	41,5	142,9	216,2	106,5	136	52,4	15	14	50	70	7	9	12,2	M16	4	125
DN 65 (2½")	44,5	155,6	235,2	126,5	175	64,2	15	14	50	70	7	9	12,2	M16	8	145
DN 80 (3")	44,5	161,9	247,8	141,5	195	78,9	15	14	50	70	7	9	12,2	M16	8	160
DN 100 (4")	51,5	181	281,1	161,5	226	104	15	14	50	70	7	9	12,2	M16	8	180
DN 125 (5")	54,5	196,9	309,5	192	257	124,2	20	17	--	70	--	9	12,2	M16	8	210
DN 150 (6")	55,7	209,6	334,3	217	280	155,7	20	17	--	70	--	9	12,2	M20	8	240
DN 200 (8")	60,6	239,7	397,1	272	336	202,2	20	17	70	102	9	11	12,2	M20	8	295
DN 250 (10")	65,6	285,8	475,9	327	384	250,5	25	17	--	102	--	11	12,2	M20	12	350
DN 300 (12")	76,9	309,6	551,7	377	476	301,4	25	22	--	102	--	11	12,2	M20	12	400

(\*) Dimensions in mm.



Comercial de Válvulas y Accesorios, S.A.  
 Poligono Industrial Polizur, Calle Bosc Tancat, 6 Nave 2 y 3  
 08290 Cerdanyola del valles ( Barcelona) - Spain Tel. 34 93 586 36 00 Fax 34 93 586 36 04  
 e-mail: [info@cva.es](mailto:info@cva.es)  
 URL: [www.ilx-valve.com](http://www.ilx-valve.com)

Remarks: The dimensions of this catalogue are for reference only and it can change without previous notice

# Butterfly Valves Type Wafer & Lug

## 7 bar (100 psi) - 10 bar (150 psi)

### Torque, KV, CWP & Speed limits

GENERAL CHARACTERISTICS	Fig. NP Type Wafer & Lug		
<b>DESIGN STANDARDS</b>			
Flange assembly between flanges	EN 1092 PN10		
Face to face dimensions	EN 558-1	Series 20	
Actuator mounting flange	DIN 3337	ISO 5211	
Marking	EN 19		
TESTS AND CERTIFICATES	EN 10204		
Quality Assurance	ISO 9001		
Pressure testing	EN 12266-1		

#### Torque Values in Nm

VALVE SIZE	AT DIFFERENTIAL PRESSURE		VALVE SIZE	AT DIFFERENTIAL PRESSURE	
	7 bar / 10 bar			7 bar / 10 bar	
DN 50 (2")	20		DN 150 (6")	170	
DN 65 (2½")	25		DN 200 (8")	300	
DN 80 (3")	30		DN 250 (10")	470	
DN 100 (4")	95		DN 300 (12")	550	
DN 125 (5")	140				

Note: With water at ambient temperature and maximum working pressure

#### KV Values

APERTURE ANGLE	VALVE SIZE								
	DN 50 (2")	DN 65 (2½")	DN 80 (3")	DN 100 (4")	DN 125 (5")	DN 150 (6")	DN 200 (8")	DN 250 (10")	DN 300 (12")
90	112	173	260	476	973	1687	2811	4325	6488
80	91	138	208	411	865	1427	2357	3720	5234
75	78	112	177	346	718	1168	1903	3114	4325
70	61	91	138	264	541	891	1514	2379	3503
60	46	72	108	203	424	692	1125	1860	2682
50	23	36	54	104	216	355	606	995	1384
40	15	22	33	63	134	216	363	580	865
30	8	13	19	36	76	125	216	337	476
25	5	9	13	24	52	85	147	225	329

#### Cold Work Pressure (CWP)

SIZE DN	Pressure	
	(psi)	(bar)
50 - 300 *	100	7
50 - 300	150	10

#### Maximum Working Conditions

Temperature	Pressure
130°C	10 bar

#### Speed limits ON-OFF service

Liquid	Gas
9 m/s	54 m/s

(\*) For disc coated with E-CTFE (Halar)

#### Applications in service end of line

Maximum pressure	Service
150 psi (10 bar)	Valve between 2 flanges with stainless steel disc
100 psi (7 bar)	Valve bolted to one flange (only Lug)



Comercial de Válvulas y Accesorios, S.A.  
 Polígono Industrial Polizur, Calle Bosc Tancat, 6 Nave 2 y 3  
 08290 Cerdanyola del valles ( Barcelona) – Spain Tel. 34 93 586 36 00 Fax 34 93 586 36 04  
 e-mail: [info@cva.es](mailto:info@cva.es)  
 URL: [www.jlx-valve.com](http://www.jlx-valve.com)

Remarks: The dimensions of this catalogue are for reference only and it can change without previous notice