

# Butterfly Valves Type Wafer & Lug 10 bar (150 psi)

DN 50 - 1000 (Size 2" – 40")

---



## Fig. VMG-VMJ TYPE WAFER Resilient Seat

CE



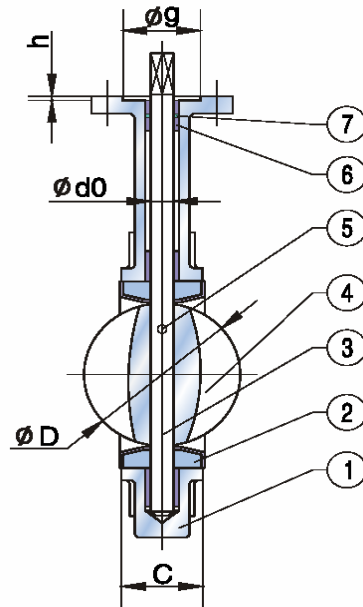
Comercial de Válvulas y Accesorios, S.A.  
Polígono Industrial Polizur, Calle Bosc Tancat, 6 Nave 2 y 3  
08290 Cerdanyola del valles ( Barcelona ) – Spain Tel. 93 586 36 00 Fax 93 586 36 04  
e-mail: [info@cva.es](mailto:info@cva.es)  
URL: [www.jlx-valve.com](http://www.jlx-valve.com)

Remark: The dimensions of this catalogue are for reference only and it can change without previous notice.

# Butterfly Valves Type Wafer

## 10 bar (150 psi)

*Parts and materials*



Item	Description	Material
1	Body	Cast Iron, Ductile Iron, Carbon Steel, Stainless Steel
2	Seat	NBR, EPDM, Viton, Neoprene, Hypalon, Silicone
3	Shaft	Stainless Steel 416, 316
4	Disc	Ductile Iron+Ni, CF8, CF8M, Bronze
5	Pin	Stainless Steel
6	Bushing	PTFE, Bronze
7	O' Ring	NBR, EPDM

Comercial de Válvulas y Accesorios, S.A.

Polígono Industrial Polizur, Calle Bosc Tancat, 6 Nave 2 y 3

08290 Cerdanyola del valles ( Barcelona) – Spain Tel. 93 586 36 00 Fax 93 586 36 04

e-mail: [info@cva.es](mailto:info@cva.es)

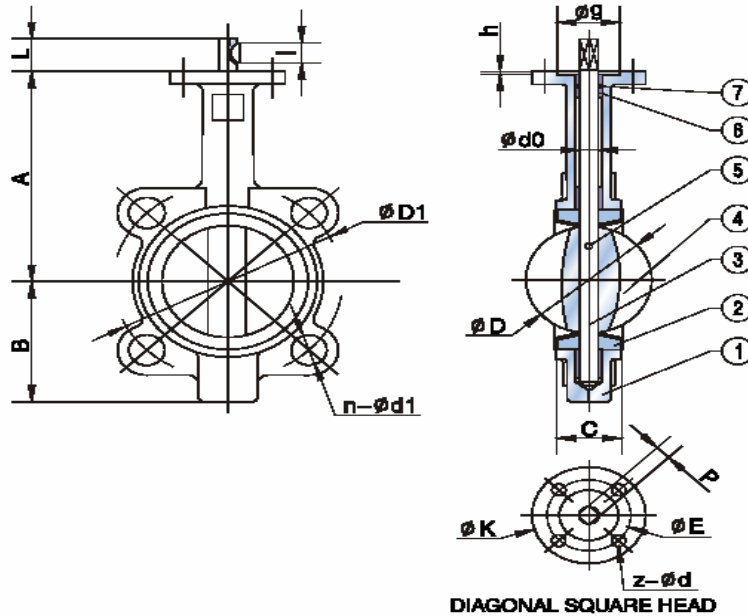
URL: [www.jlx-valve.com](http://www.jlx-valve.com)

Remark: The dimensions of this catalogue are for reference only and it can change without previous notice.



# Butterfly Valves Type Wafer 10 bar (150 psi)

## Dimensions



SIZE		UPPER FLANGE											ANSI 150		DIN PN10/16		Kg	
in	DN	A	B	C	D	L	d0	P	K	E	z-d	g	h	D1	n-M	D1		n-M
1.1/2	40	145	75	33	42.4	32	12.6	9	77	50	4-7	35	3	98.5	4-16	110	4-18	2.2
2	50	161	80	42	52.6	32	12.6	9	77	50	4-7	35	3	120.5	4-19	125	4-18	2.5
2.1/2	65	175	89	44.7	64.5	32	12.6	9	77	50	4-7	35	3	139.5	4-19	145	4-18	3.2
3	80	181	95	45.2	78.8	32	12.6	9	77	50	4-7	35	3	152.5	4-19	160	4/8-18	3.6
4	100	200	114	52.1	104	32	15.77	11	90	70	4-9	55	3	190.5	8-19	180	8-18	4.9
5	125	213	127	54.4	123.3	32	18.92	14	90	70	4-9	55	3	216	8-22	210	8-18	7.0
6	150	226	139	55.8	155.6	32	18.92	14	90	70	4-9	55	3	241.5	8-22	240	8-23	7.8
8	200	260	175	60.6	202.5	45	22.1	17	125	102	4-12	70	3.5	298.5	8-22	295	8/12-23	13.2
10	250	292	203	65.6	250.5	45	28.45	22	125	102	4-12	70	3.5	362	12-25	350/355	12-23/27	19.2
12	300	337	242	76.9	301.6	45	31.6	22	140	102	4-12	70	3.5	432	12-25	400/410	12-23/27	32.5
14	350	368	267	76.5	333.3	45	31.6	22	140	102	4-12	70	3.5	476	12-29	460/470	16-23/27	41.3
16	400	400	309	86.5	389.6	51.2	33.15	24	197	140	4-18	100	4	540	16-29	515/525	16-27/30	61
18	450	422	328	105.6	440.5	51.2	38	27	197	140	4-18	100	4	578	16-32	565/585	20-27/30	79
20	500	480	361	131.8	491.6	64.2	41.15	32	197	140	4-18	100	4	635	20-32	620/650	20-27/33	128
24	800	562	459	152	592.5	70.2	50.65	36	276	165	4-23	130	5	749.5	20-35	725/770	20-30/38	188
28	700	624	520	163	695	66	55		300	254	8-18	200	5.5	883.5	28-35	840	24-30	284
30	750	660	539	165	744.3	66	55		300	254	8-18	200	5.5	914.5	28-35	-	-	328
32	800	672	591	188	794.7	66	55		300	254	8-18	200	5.5	978	28-41	950	24-33	368
36	900	720	656	203	864.7	118	75		300	254	8-18	200	5.5	1086	32-41	1050	28-33	713
40	1000	800	721	216	965	150	85		300	254	8-18	200	5.5	1200	36-41	1160	28-36	864

e-mail: [info@cva.es](mailto:info@cva.es)

URL: [www.jlx-valve.com](http://www.jlx-valve.com)

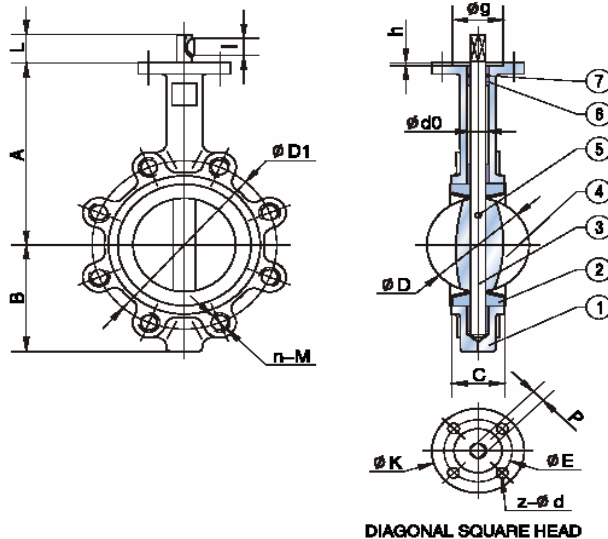
Remark: The dimensions of this catalogue are for reference only and it can change without previous notice.



# Butterfly Valves Type LUG

## 10 bar (150 psi)

### Dimensions



SIZE		UPPER FLANGE											ANSI 150		DIN PN10/16		Kg	
in	DN	A	B	C	D	L	d0	P	K	E	z-d	g	h	D1	n-M	D1		n-M
1 1/2	40	145	75	33	42.4	32	12.6	9	77	50	4-7	35	3	98.5	4-1/2"	110	4-M 16	3.2
2	50	161	80	42	52.6	32	12.6	9	77	50	4-7	35	3	120.5	4-5/8"	125	4-M16	3.8
2 1/2	65	175	89	44.7	64.5	32	12.6	9	77	50	4-7	35	3	139.5	4-5/8"	145	4-M16	4.2
3	80	181	95	45.2	78.8	32	12.6	9	77	50	4-7	35	3	152.5	4-5/8"	160	4-M16	4.7
4	100	200	114	52.1	104	32	15.77	11	90	70	4-9	55	3	190.5	4-5/8"	180	8-M16	9.0
5	125	213	127	54.4	123.3	32	18.92	14	90	70	4-9	55	3	216	8-3/4"	210	8-M16	10.9
6	150	226	139	55.8	155.6	32	18.92	14	90	70	4-9	55	3	241.5	8-3/4"	240	8-M20	14.2
8	200	260	175	60.6	202.5	45	22.1	17	125	102	4-12	70	3.5	298.5	8-3/4"	295	8/12-M20	18.2
10	250	292	203	65.6	250.5	45	28.45	22	125	102	4-12	70	3.5	362	12-7/8"	350/355	12-M20/M24	26.8
12	300	337	242	76.9	301.6	45	31.6	22	140	102	4-12	70	3.5	432	12-7/8"	400/410	12-M20/M24	40
14	350	368	267	76.5	333.3	45	31.6	22	140	102	4-12	70	3.5	476	12-1"	460/470	16-M20/M24	56
16	400	400	309	86.5	389.6	51.2	33.15	24	197	140	4-18	100	4	540	16-1"	515/525	18-24/M27	96
18	450	422	328	105.6	440.5	51.2	38	27	197	140	4-18	100	4	578	16-1"	565/585	20M24/M27	122
20	500	480	361	131.8	491.6	64.2	41.15	32	197	140	4-18	100	4	635	20-1 1/8"	620/650	20M24/M30	202
24	600	562	459	152	592.5	70.2	50.65	36	276	165	4-23	130	5	749.5	20-1 1/4"	725/770	20M27/M33	270



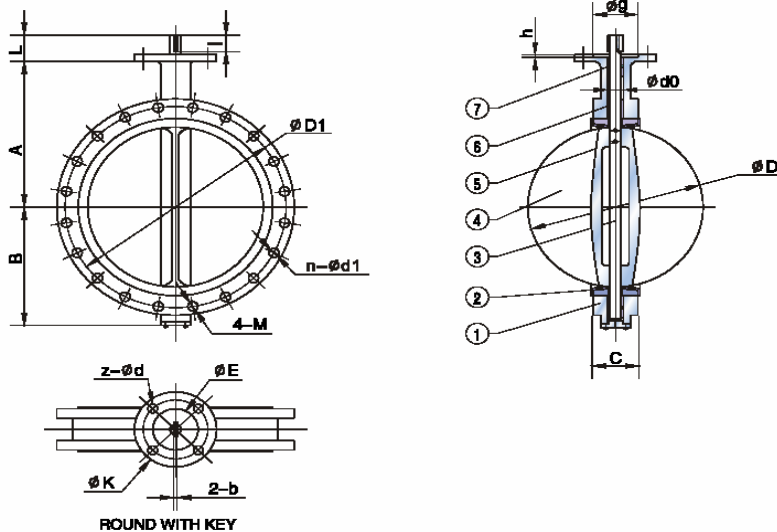
Comercial de Válvulas y Accesorios, S.A.  
 Polígono Industrial Polizur, Calle Bosc Tancat, 6 Nave 2 y 3  
 08290 Cerdanyola del valles ( Barcelona ) – Spain Tel. 93 586 36 00 Fax 93 586 36 04  
 e-mail: [info@cva.es](mailto:info@cva.es)  
 URL: [www.jlx-valve.com](http://www.jlx-valve.com)

Remark: The dimensions of this catalogue are for reference only and it can change without previous notice.

# Butterfly Valves Type U TYPE

## 10 bar (150 psi)

Parts, Materials and Dimensions



Item	Description	Material
1	Body	Cast Iron, Ductile Iron, Carbon Steel, Stainless Steel
2	Seat	NBR, EPDM, Viton, Neoprene, Hypalon, Silicone
3	Shaft	Stainless Steel 416, 316
4	Disc	Ductile Iron+Ni, CF8, CF8M, Bronze
5	Pin	Stainless Steel
6	Bushing	PTFE, Bronze
7	O' Ring	NBR, EPDM

SIZE		UPPER FLANGE										ANSI 150			DIN PN10/16			Kg	
in	DN	A	B	C	D	L	d0	K	E	z-d	g	h	D1	n-d1	4-M	D1	n-d1		4-M
16	400	400	309	86.5	389.6	512	33.15	197	140	4-18	100	4	540	16-29		515/525	16-27/30		83
18	450	422	328	105.6	440.5	512	38	197	140	4-18	100	4	578	16-32		565/585	20-27/30		120
20	500	480	361	131.8	491.6	64.2	41.15	197	140	4-18	100	4	635	20-32		620/650	20-27/33		170
24	600	562	459	152	592.5	70.2	50.65	276	165	4-23	130	5	749.5	20-35		725/770	20-30/38		245
28	700	624	520	163	695	66	55	300	254	8-18	200	5.5	963.5	24-35	4-11/4"	840	20-30	4-M27	406
30	750	660	539	165	744.3	66	55	300	254	8-18	200	5.5	914.5	24-35	4-11/4"				426
32	800	672	591	188	794.7	66	55	300	254	8-18	200	5.5	978	24-41	4-11/2"	950	20-33	4-M30	566
36	900	720	656	203	864.7	118	75	300	254	8-18	200	5.5	1086	28-41	4-11/2"	1050	24-33	4-M30	728
40	1000	800	721	216	965	142	85	300	254	8-18	200	5.5	1200	32-41	4-11/2"	1160	24-36	4-M33	815
42	1050	858	757	251	1030.5	150	95	300	254	8-18	200	5.5	1257.5	32-41	4-11/2"				976
48	1200	941	844	276	1161.2	150	105	300	298	8-22	230	5.5	1422.5	40-41	4-11/2"	1380	28-39	4-M36	1529

Comercial de Válvulas y Accesorios, S.A.

Polígono Industrial Polizur, Calle Bosc Tancat, 6 Nave 2 y 3

08290 Cerdanyola del valles ( Barcelona ) – Spain Tel. 93 586 36 00 Fax 93 586 36 04

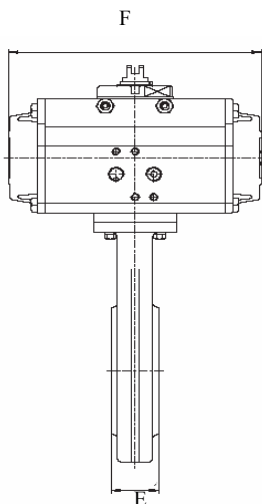
e-mail: [info@cva.es](mailto:info@cva.es)

URL: [www.jlx-valve.com](http://www.jlx-valve.com)

Remark: The dimensions of this catalogue are for reference only and it can change without previous notice.

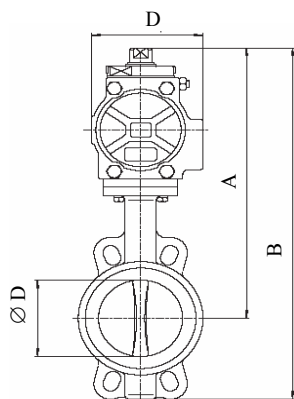


# Butterfly Valves with pneumatic actuator



## Double Acting Actuator

In	DN	A	B	Ø D	D	E	F	ACT
2	50	267	347	52.6	76	42	145	ADA-20
2.1/2	65	300	389	64.5	91	44.7	158	ADA-40
3	80	306	401	78.8	91	45.2	158	ADA-40
4	100	352	466	104	111	52.1	177	ADA-80
5	125	365	492	123.3	111	54.4	177	ADA-80
6	150	388	527	155.6	122	55.8	196	ADA-130
8	200	436	611	202.5	135,5	60.6	225	ADA-200
10	250	534	737	250.5	152,5	65.6	273	ADA-300
12	300	596	838	301.6	173	76.9	304	ADA-500
14	350	649	916	333.3	191,5	76.5	372	ADA-850
16	400	740	1049	389.6	212,5	86.5	439	ADA-1750



## Spring Return Actuator

In	DN	A	B	Ø D	D	E	F	ACT
2	50	286	366	52.6	91	42	195	ASR-40
2.1/2	65	300	389	64.5	91	44.7	195	ASR-40
3	80	306	401	78.8	91	45.2	195	ASR-40
4	100	352	466	104	111	52.1	217	ASR-80
5	125	365	492	123.3	111	54.4	217	ASR-80
6	150	388	527	155.6	122	55.8	258	ASR-130
8	200	436	611	202.5	135,5	60.6	299	ASR-200
10	250	551	754	250.5	173	65.6	397	ASR-500
12	300	618	860	301.6	191,5	76.9	473	ASR-850
14	350	649	916	333.3	191,5	76.5	473	ASR-850
16	400	740	1049	389.6	242,5	86.5	601	ASR-1750

**\*\* Torque calculated for input pressure signal 6 bar.**



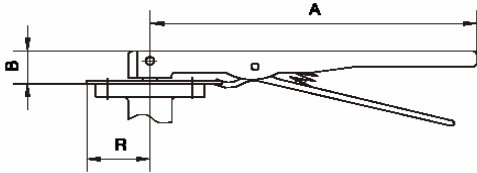
Comercial de Válvulas y Accesorios, S.A.  
 Polígono Industrial Polizur, Calle Bosc Tancat, 6 Nave 2 y 3  
 08290 Cerdanyola del valles ( Barcelona ) – Spain Tel. 93 586 36 00 Fax 93 586 36 04  
 e-mail: [info@cva.es](mailto:info@cva.es)  
 URL: [www.jlx-valve.com](http://www.jlx-valve.com)

Remark: The dimensions of this catalogue are for reference only and it can change without previous notice.

# Lever and Gear

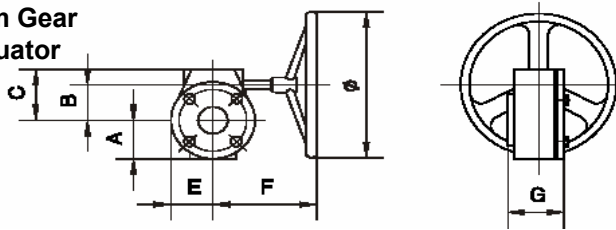
## Dimensions

### Lever



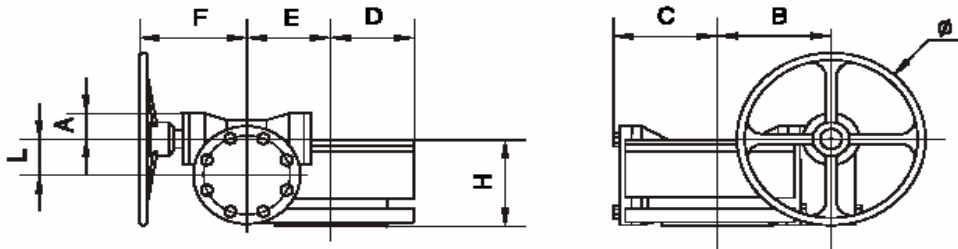
SIZE	A	B	R	Kg
2"-6"	270	32	52	0.9
8"	360	45	75.2	1.95
10"-12"	500	45	75.2	2.65

### Worm Gear Actuator



TYPE	RATED OUTPUT N.M	MAXIMUM OUTPUT N.M	RATIO	BUTTERFLY VALVE SIZE	A	B	C	E	F	G	Ø	Kg
3Dc - 15	150	270	24:1	2" - 6"	52	45	74	52	152.5	75	150	5.2
3Dc - 50	500	700	30:1	8" - 10"	75	62.75	101	75	250	86	300	13
3Dc - 120	1000	1200	50:1	12" - 14"	81	80	118	81	227	83	300	15

### Double-Stage Worm Gear Actuator



TYPE	RATED OUTPUT N.M	MAXIMUM OUTPUT N.M	RATIO	BUTTERFLY VALVE SIZE	A	B	C	E	F	H	L	Ø	Kg
3DA - 30/250	2500	3000	560:1	16" - 20"	56.5	178.5	121	104	174	125.5	66	300	56.9
3DA - 30/400	4000	5200	640:1	24"	56.5	197.5	142	130	174	145.5	66	300	72.37
3DA - 60/800	8000	8500	704:1	28" - 32"	67	244	181	162	165	157	88	400	127
3DA - 120/1500	15000	18000	704:1	36" - 40"	76	270	215	196	215	235	126	300	158



Comercial de Válvulas y Accesorios, S.A.  
 Polígono Industrial Polizur, Calle Bosc Tancat, 6 Nave 2 y 3  
 08290 Cerdanyola del valles ( Barcelona ) – Spain Tel. 93 586 36 00 Fax 93 586 36 04  
 e-mail: [info@cva.es](mailto:info@cva.es)  
 URL: [www.jlx-valve.com](http://www.jlx-valve.com)

Remark: The dimensions of this catalogue are for reference only and it can change without previous notice.

# Butterfly Valves Type Wafer & Lug 10 bar (150 psi)

*Torque, KV, CWP & Speed limits*

GENERAL CHARACTERISTICS	Fig. VMG-VMG Wafer		
DESIGN STANDARDS	MSS SP-67, API 609		
Flange assembly betw een flanges	EN 1092 PN10/16 - 150 lbs		
Face to face dimensions	EN 558-1	Series 20	
Actuator mounting flange	DIN 3337	ISO 5211	
Marking	EN 19		
CERTIFICATES	EN 10204		
Quality Assurance	ISO 9001		
Pressure testing	API 598		

## KV Values

APERTURE ANGLE	VALVE SIZE								
	DN 50 (2")	DN 65 (2½")	DN 80 (3")	DN 100 (4")	DN 125 (5")	DN 150 (6")	DN 200 (8")	DN 250 (10")	DN 300 (12")
90	112	173	260	476	973	1687	2811	4325	6488
80	91	138	208	411	865	1427	2357	3720	5234
75	78	112	177	346	718	1168	1903	3114	4325
70	61	91	138	264	541	891	1514	2379	3503
60	46	72	108	203	424	692	1125	1860	2682
50	23	36	54	104	216	355	606	995	1384
40	15	22	33	63	134	216	363	580	865
30	8	13	19	36	76	125	216	337	476
25	5	9	13	24	52	85	147	225	329

### Cold Work Pressure (CWP)

DN	(psi)	(bar)
50 - 1000	100	7

### Maximum Working Conditions

Temperature	Pressure
130°C	10 bar

### Speed limits ON-OFF service

Liquid	Gas
9 m/s	54 m/s



Comercial de Válvulas y Accesorios, S.A.  
 Polígono Industrial Polizur, Calle Bosc Tancat, 6 Nave 2 y 3  
 08290 Cerdanyola del valles ( Barcelona ) – Spain Tel. 93 586 36 00 Fax 93 586 36 04  
 e-mail: [info@cva.es](mailto:info@cva.es)  
 URL: [www.jlx-valve.com](http://www.jlx-valve.com)

Remark: The dimensions of this catalogue are for reference only and it can change without previous notice.

# Butterfly Valves Torque

## Seating Torque for Series VMG - VMJ Butterfly Valve (N-m)

SIZE	5 bar $\Delta P$		5 bar $\Delta P$	
	WET	DRY	WET	DRY
2"	12.7	20.3	13.0	20.8
2.5"	13.4	25.4	13.8	26.1
3"	20.5	38.8	21.0	39.9
4"	33.1	60.5	34.9	63.8
5"	51.4	89.4	53.8	93.6
6"	80.2	141	84.5	149
8"	145	250	154	264
10"	232	394	249	423
12"	341	559	371	605
14"	434	650	466	699
16"	565	848	632	948
18"	742	1113	831	1247
20"	965	1448	1093	1639
24"	1494	2241	1679	2519

- (1) **Seat Material NBR or EPDM,  $\Delta P$  standard disc differential pressure.**
- (2) **The torque values shown on above charts are for wet (water and other non-lubricating media) and dry (non-lubricating. Dry gas media) service. For torques involving other media, please consult the factory.**
- (3) **There is no safety factor included in the numbers shown on these charts. For actuator sizing,**
- (4) **For PTFE seats multiply the numbers shown by 2.0**

