



## BELLOWS SEALED TYPE GLOBE VALVES

Cast Iron, Nodular Cast Iron & Carbon Steel

DN 15 - 200 PN16, PN25 & (PN40 Carbon Steel)

**Fig. BGV116, BGV216, BGV225 & BGV340**



## General Description

**ICP** range of bellows sealed type globe valves provides an environmentally sound solution to on/off stop valve needs

The bellows sealed design ensures stem seal leaks are totally eliminated, meeting the most stringent worldwide emissions legislations.

This capability is vital to maintain plant safety. Save energy and promote a cleaner environment.

### Main Characteristics

- \* Two ply bellows
- \* Non-rising spinle
- \* Position Indicator
- \* Anti-turn device to avoid the risk of torsion of bellows
- \* Bellows welded on to the spindle

- \* **Long Life**

The bellows sealed type globe valves offers ""Not Problems""! In operation and the fatigue life of the bellows is designed with the latest international standards.

In the unlikely event of a bellows failure, a precautionaly second seal exists to prevent leaks.

- \* **Free Maintenance**

Not only do bellows sealed valves cut out stem seal emissions,they are virtually maintenance free.

Should you wish to change the internals, the procedure is rapid and simple.

All gaskets in our valves are asbestos free.

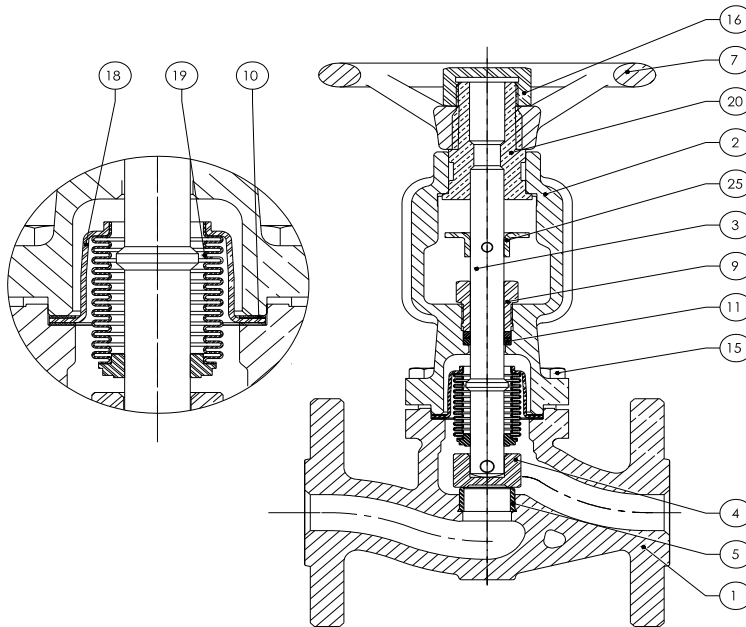
## User Benefits

***\*Eliminates fugitive emisions... \*Easy to operate... \*Long valve life... \*No ongoing maintenance required***



# Bellows sealed type Globe Valves

## Parts and Materials

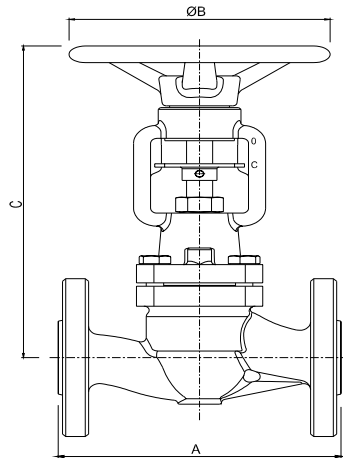


Item	Description	Material			
		BGV116	BGV216	BGV225	BGV340
1	Body	EN-GJL250	EN-GJS400-18	1.0619	
2	Bonnet	EN-GJL250	EN-GJS400-18	1.0619	
3	Spindle		x 12 CrNi S 18.8		
4	Disc		X 20 Cr 13		
5	Seat		X 22 CrNi 17		
7	Handw heel		EN-GJS 400		
9	Gland Nut		EN-10087		
10	Gasket		Graphite		
11	Packing		Graphite		
15	Bolts	5,6		8,8	
16	Handw heel nut		EN-10087		
18	Hood		X 12 CrNi S 18.8		
19	Bellow		1.4571		
20	Threader Bushing		EN-10087		
25	Anti Turn Device		EN-10025		



# Bellows sealed type Globe Valves

## General Dimensions



DN	A	C	ØB	Kvs	Weight			
					BGV116	BGV216	BGV225	BGV340
15	130	190	140	3,8	3,2	3,2	3,7	
20	150	195	140	7	4,4	4,4	4,8	
25	160	220	140	10	4,8	4,8	6,8	
32	180	219	140	19	6,1	6,3	7,8	
40	200	254	180	35	11	11	13	
50	230	265	180	43	13	13	15,5	
65	290	328	200	60	21	21,3	21,3	23
80	310	341	200	110	26,4	26,4	27	28
100	350	376	250	146	40	40	41	43
125	400	488	330	210	53,5	53,5	54,5	68
150	480	531	330	300	81	84	85	100
200	600	663	400	670	154	157	162	202

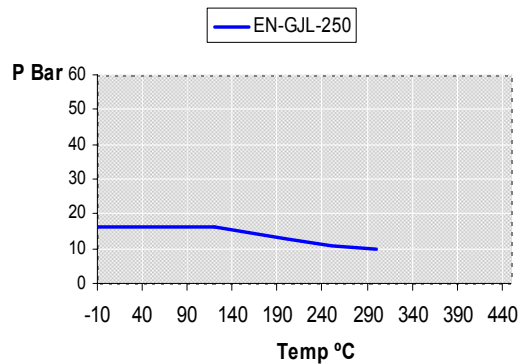
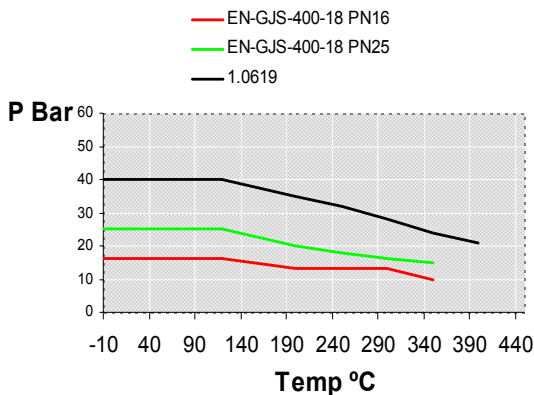
(\* ) Dimensions in mm and weight in kg.



# Bellows sealed type Globe Valves

## General Characteristics

Figure	Material	PN
B116	EN-GJL-250	16
<b>B216</b>	EN-GJS-400-18	<b>16</b>
B225	EN-GJS-400-18	25
<b>B340</b>	1.0619	<b>40</b>
<b>DESIGN STANDARDS</b>		
Valve Design	DIN 3840	
Flanged dimensions	EN 1092	
Face to Face Dimensions	EN 558 Series 1	
Visual Inspection	MSS SP-55	
Marking	EN 19	



### Applications:

- Hot and cold water systems
- Steam and condensate
  - Process fluids
  - Hot oil systems
- Compressed air and other gases
  - Toxic fluids
- Water / glycol systems

### Options:

(On request)

- A** Throttling plug
- B** Disc with soft seat
- C** Throttling plug+Soft seat
- D** Conical seat disc



Comercial de Válvulas y Accesorios, S.A.  
 Polígono Industrial Polizur, Calle Bosc Tancat, 6 Nave 2 y 3  
 08290 Cerdanyola del valles ( Barcelona ) – Spain Tel. 34 93 586 36 00 Fax 34 93 586 36 04  
 e-mail: [info@cva.es](mailto:info@cva.es)  
 URL: [www.jlx-valve.com](http://www.jlx-valve.com)

Remarks: The dimensions of this catalogue are for reference only and it can change without previous notice