

# Wafer Flanged Ball Valve ANSI 300 metric

---



## Fig. 720212 / 720232 FULL BORE



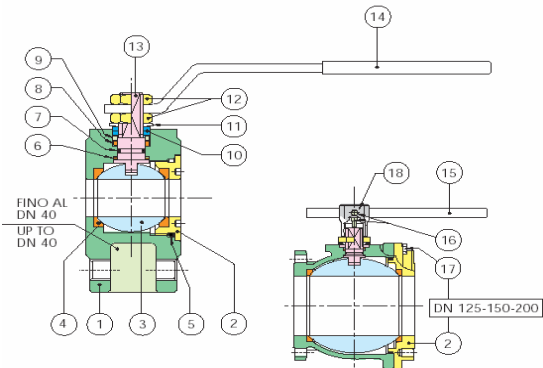
Comercial de Válvulas y Accesorios, S.A.  
Polígono Industrial Polizur, Calle Bosc Tancat, 6 Nave 2 y 3  
08290 Cerdanyola del valles ( Barcelona) – Spain Tel. 93 586 36 00 Fax 93 586 36 04  
e-mail: [info@cva.es](mailto:info@cva.es)  
URL: [www.jlx-valve.com](http://www.jlx-valve.com)

Remark: The dimensions of this catalogue are for reference only and it can change without previous notice.

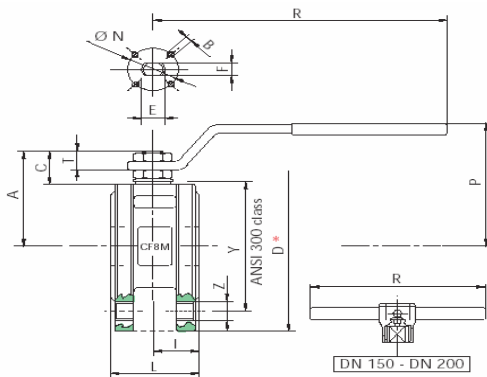
# Wafer Flanged Ball Valve

## ANSI 300 metric

### Parts and materials



Item	Description	Material Fig. 720212	Material Fig. 720232
1	Body	A351-CF8M / A182-F316	ASTMA105
2	End connection	A351-CF8M / A182-F316	ASTMA105
3	Ball	A351-CF8M / A182-F316	A351-CF8M / A182-F304
4	Ball seat	PTFE + 15% Glass	PTFE + 15% Glass
5	Ring	FKM (VITON®)	FKM (VITON®)
6	Thrust Washer	PTFE	PTFE
7	O'Ring	FKM (VITON®)	FKM (VITON®)
8	Stem seat	PTFE	PTFE
9	Packing gland	CARBON STEEL	CARBON STEEL
10	End stop	INOX AISI 430 (DN 15- DN 65)-	INOX AISI 430 (DN 15- DN 50) (DN65- DN200)
11	Spring Washer	CARBON STEEL	CARBON STEEL
12	Nut	CARBON STEEL	CARBON STEEL
13	Stem	A182 - F316	A182 - F304
14	Handle	CARBON STEEL	CARBON STEEL
15	Handle DN 150-200	CARBON STEEL	CARBON STEEL
16	Screw	CARBON STEEL	CARBON STEEL
17	Screw	CARBON STEEL	CARBON STEEL
18	Body handle DN 150-200	EN-GJL 250	EN-GJL 250



\* = D Max Diameters admitted 400 mm

SIZE	D	Y	Z	I	L	R	P	A	C	T	E	F	N	B	KV	PN	Kg	
																	720212	720232
1/2" (DN 15)	95	66,5	4xM14	19	35	131,5	64,5	47	11,5	9	10	7	32	4xM5	16,3	50	1,4	1,4
3/4" (DN 20)	120	82,5	4xM18	20	40	131,5	69	51,5	9,5	9	10	7	32	4xM5	29,5	50	2,5	2,5
1" (DN 25)	120	89	4xM18	24	46	174,5	80,5	61	13	11,5	12	8	42	4xM5	43	50	3,1	3,1
1 1/4" (DN 32)	130	98,5	4xM18	28	54	174,5	84,5	64,5	16,5	11,5	12	8	42	4xM5	89	50	4,2	4,2
1 1/2" (DN 40)	150	114,5	4xM20	31,75	63,5	250,5	102,5	78	20,5	13	16	10	50	4xM6	230	50	6,7	6,7
2" (DN 50)	165	127	8xM18	41	82	250,5	112,5	87	16	13,5	16	10	50	4xM6	265	50	7,3	10,4
2 1/2" (DN65)	190	149	8xM20	51,5	103	321,5	129	104,5	18,5	18	20	14	70	4xM8	540	50	12	17,7
3" (DN80)	210	168,5	8xM20	61	122	321,5	138,5	115	21	18	20	14	70	4xM8	873	50	17,2	24,6
4" (DN100)	254	200	8xM20	76	152	381,5	157,5	137	23,5	22	24	18	102	4xM10	1390	50	30,4	45,3
6" (DN150)	320	270	12xM20	116	232	700	237	201,5	51,5	22	24	30	125	4xM12	2024	50	72	101
8" (DN200)	380*	330	12xM24	158	317	700	280	245	51,5	30	42	30	125	4xM12	2720	50	122	122

(\*)Dimensions in mm



Comercial de Válvulas y Accesorios, S.A.  
 Polígono Industrial Polizur, Calle Bosc Tancat, 6 Nave 2 y 3  
 08290 Cerdanyola del valles ( Barcelona) – Spain Tel. 93 586 36 00 Fax 93 586 36 04  
 e-mail: [info@cva.es](mailto:info@cva.es)  
 URL: [www.jlx-valve.com](http://www.jlx-valve.com)

Remark: The dimensions of this catalogue are for reference only and it can change without previous notice.

# Wafer Flanged Ball Valve

## ANSI 300 metric

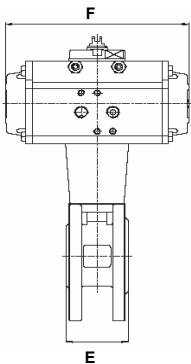
### Characteristics and Dimensions

GENERAL CHARACTERISTICS		Serie 72
<b>DESIGN STANDARDS</b>		
Thread Ends	ANSI 300	
Nominal Diameter	From DN 15 to DN 200	
Maneuver	90° rotation of the lever	
Testing	100% tested	
Operator	UNI 7070 handle with blue PVC cover	

APPLICATION	
Assembly in flanged pipe system	
Other specifications in the "Technical Specifications" catalogue	
Nominal pressure (PN) in bar	
For temperature > 80°C see diagram in the Technical Specifications catalogue	
KV: flow coefficient in m³/h at differential pressure of 100 kPa	
Vacuum: Maximum 10 <sup>-3</sup> torr.	
Temperature range: -20°C +160°C	
Direction of flow : both directions	
We recommend the valve use in fully open or closed, not in mid position, and to manoeuvre the valve at least twice a year.	

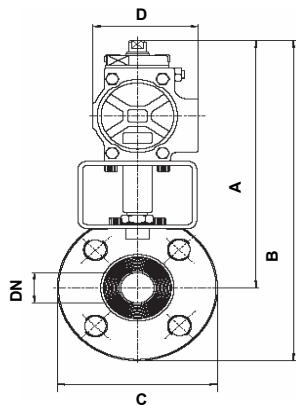
OPTIONS AVAILABLE	
720288	ANSI 316 CF8M - ANSI 300 UNC
720289	A105 WCB - ANSI 300 UNC

### Double Acting Actuator Fig.720212



SIZE	A	B	C	D	E	F	ACT
1/2" (DN 15)	193,5	241	95	76	35	145	ADA-20
3/4" (DN 20)	225	285	120	91	40	158	ADA-40
1" (DN 25)	225	285	120	91	46	158	ADA-40
1 1/4" (DN 32)	230	295	130	91	54	158	ADA-40
1 1/2" (DN 40)	262	337	150	111	64	177	ADA-80
2" (DN 50)	279,5	362	165	122	82	196	ADA-130
2 1/2" (DN 65)	310	405	190	135,5	103	225	ADA-200
3" (DN 80)	320	425	210	135,5	122	225	ADA-200
4" (DN 100)	369	496	254	152,5	152	273	ADA-300
6" (DN 150)	441	601	320	191,5	232	372	ADA-850

### Spring Return Actuator Fig. 720212



SIZE	A	B	C	D	E	F	ACT
1/2" (DN 15)	212,5	260	95	91	35	195	ASR-40
3/4" (DN 20)	247	307	120	111	40	217	ASR-80
1" (DN 25)	247	307	120	111	46	217	ASR-80
1 1/4" (DN 32)	252	317	130	111	54	217	ASR-80
1 1/2" (DN 40)	272	347	150	122	64	258	ASR-130
2" (DN 50)	297,5	380	165	135,5	82	299	ASR-200
2 1/2" (DN 65)	327	422	190	152,5	103	348,5	ASR-300
3" (DN 80)	337	442	210	152,5	122	348,5	ASR-300
4" (DN 100)	408	535	254	191,5	152	473	ASR-850
6" (DN 150)	603	763	320	356	232	738	ASR-2500

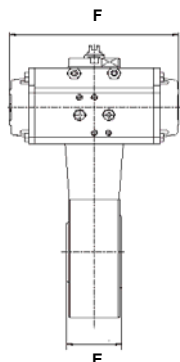


Comercial de Valvulas y Accesorios, S.L.  
 Polígono Industrial Polizur, Calle Bosc Tancat, 6 Nave 2 y 3  
 08290 Cerdanyola del valles ( Barcelona) – Spain Tel. 93 586 36 00 Fax 93 586 36 04  
 e-mail: [info@cva.es](mailto:info@cva.es)

URL: [www.jlx-valve.com](http://www.jlx-valve.com)

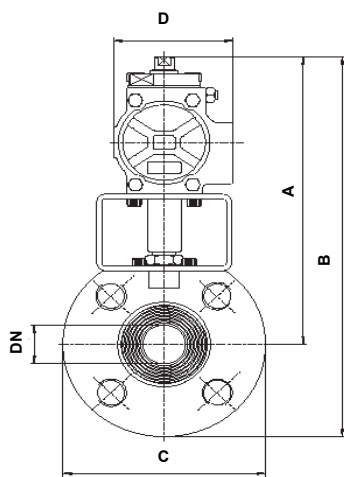
Remark: The dimensions of this catalogue are for reference only and it can change without previous notice.

# Wafer Flanged Ball Valve with actuators



**Double Acting Actuator Fig. 720232**

SIZE	A	B	C	D	E	F	ACT
1/2" (DN 15)	193,5	241	95	76	35	145	ADA-20
3/4"(DN 20)	225	285	120	91	40	158	ADA-40
1" (DN 25)	225	285	120	91	46	158	ADA-40
1"1/4 (DN 32)	230	295	130	91	54	158	ADA-40
1"1/2 (DN 40)	262	337	150	111	64	177	ADA-80
2" (DN 50)	279,5	362	165	122	82	196	ADA-130
2,½" (DN 65)	310	405	190	135,5	103	225	ADA-200
3" (DN 80)	320	425	210	135,5	122	225	ADA-200
4" (DN 100)	369	496	254	152,5	152	273	ADA-300
6" (DN 150)	441	601	320	191,5	232	372	ADA-850



**Spring Return Actuator Fig. 720232**

SIZE	A	B	C	D	E	F	ACT
1/2" (DN 15)	212,5	260	95	91	35	195	ASR-40
3/4"(DN 20)	247	307	120	111	40	217	ASR-80
1" (DN 25)	247	307	120	111	46	217	ASR-80
1"1/4 (DN 32)	252	317	130	111	54	217	ASR-80
1"1/2 (DN 40)	272	347	150	122	64	258	ASR-130
2" (DN 50)	297,5	380	165	135,5	82	299	ASR-200
2,½" (DN 65)	327	422	190	152,5	103	348,5	ASR-300
3" (DN 80)	337	442	210	152,5	122	348,5	ASR-300
4" (DN 100)	408	535	254	191,5	152	473	ASR-850
6" (DN 150)	603	763	320	356	232	738	ASR-2500



Comercial de Válvulas y Accesorios, S.A.  
 Polígono Industrial Polizur, Calle Bosc Tancat, 6 Nave 2 y 3  
 08290 Cerdanyola del valles ( Barcelona) – Spain Tel. 93 586 36 00 Fax 93 586 36 04  
 e-mail: [info@cva.es](mailto:info@cva.es)  
 URL: [www.jlx-valve.com](http://www.jlx-valve.com)

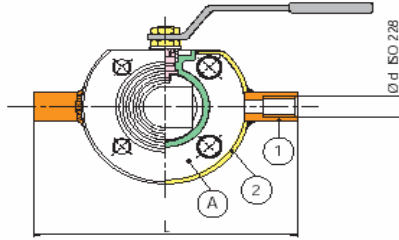
Remark: The dimensions of this catalogue are for reference only and it can change without previous notice.

# Wafer Flanged Ball Valve

## ANSI 300 metric

*Special Uses*

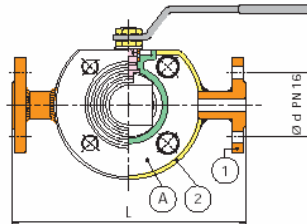
Flanged ball valve, with jacket in stainless or carbon steel, full bore, sizes DN 15 to DN 200, threaded end connection:



SIZE	Ød	Lmm	
		Carbon steel	Stainless Steel
DN15	1/2"		189
DN20	1/2"		199
DN25	1/2"		210
DN32	1/2"		230
DN40	1/2"		240
DN50	1/2"		254
DN65	1/2"	275	259
DN80	1/2"	290	274
DN100	1"	336	294
DN125	1"	366	324
DN150	1"	416	359
DN200	1"		414

Item	Description	Material	
1	End connection	ASTM 105	A182-F316
2	Jacket	CARBON STEEL	STAINLESS STEEL

Flanged ball valve, with jacket in stainless or carbon steel, full bore, sizes DN 15 to DN 200, flanged end connection:



Item	Description	Material	
1	Flange	ASTM 105	A182-F316
2	Jacket	CARBON STEEL	STAINLESS STEEL

SIZE	Ød	Lmm	
		Carbon steel	Stainless Steel
DN15	DN15		189
DN20	DN15		199
DN25	DN15		210
DN32	DN15		230
DN40	DN15		240
DN50	DN15		254
DN65	DN15	275	259
DN80	DN15	290	274
DN100	DN25	336	294
DN125	DN25	366	324
DN150	DN25	416	359
DN200	DN25		414



Comercial de Válvulas y Accesorios, S.A.  
 Polígono Industrial Polizur, Calle Bosc Tancat, 6 Nave 2 y 3  
 08290 Cerdanyola del valles ( Barcelona) – Spain Tel. 93 586 36 00 Fax 93 586 36 04  
 e-mail: [info@cva.es](mailto:info@cva.es)  
 URL: [www.jlx-valve.com](http://www.jlx-valve.com)

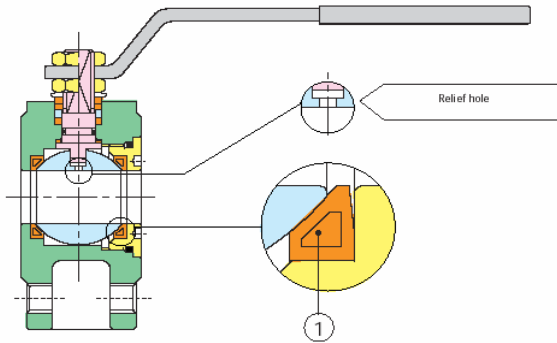
Remark: The dimensions of this catalogue are for reference only and it can change without previous notice.

# Wafer Flanged Ball Valve

## ANSI 300 metric

*Special Uses*

**Metal core P.T.F.E. seated ball valve with relief hole:**



Item	Description	Material
1	Ball seats	PTFE + ANIMA METALLICA / METAL CORE

**Valve with gear box operator:**



**Manual valve with box limit switches:**



Comercial de Válvulas y Accesorios, S.A.  
Polígono Industrial Polizur, Calle Bosc Tancat, 6 Nave 2 y 3  
08290 Cerdanyola del valles ( Barcelona) – Spain Tel. 93 586 36 00 Fax 93 586 36 04  
e-mail: [info@cva.es](mailto:info@cva.es)  
URL: [www.jlx-valve.com](http://www.jlx-valve.com)

Remark: The dimensions of this catalogue are for reference only and it can change without previous notice.