

# Integral Bonnet Needle Valves

---



## Minor Type



Comercial de Válvulas y Accesorios, S.A.  
Polígono Industrial Polizur, Calle Bosc Tancat, 6 Nave 2 y 3  
08290 Cerdanyola del valles ( Barcelona) – Spain Tel. 93 586 36 00 Fax 93 586 36 04  
e-mail: [info@cva.es](mailto:info@cva.es)  
URL: [www.jlx-valve.com](http://www.jlx-valve.com)

Remark: The dimensions of this catalogue are for reference only and it can change without previous notice.

# Integral Bonnet Needle Valves

## GENERAL CHARACTERISTICS

Specially designed for panel mounting, reduced bore, giving a flow output without pulsations. Under request could be supplied with stem for fine regulation.

## CONNECTIONS

Manufactured from 1/8" to 1/2", threaded according the following:

-NPT, according ANSI B2.1

-BSP, according DIN 259

-BSPT, according DIN 2999

Also manufactured with double ferrule connectors.

## MATERIALS

Manufactured in three standard materials:

-AC Type. In Carbon Steel UNE36011

-SS Type. In Stainless Steel 316 Type

-LA Type. In Brass DIN 17660.

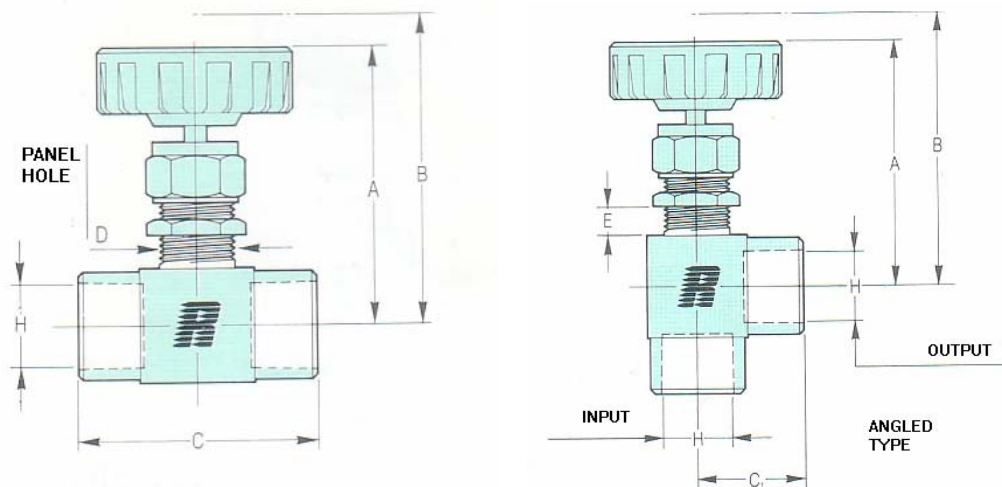
In all the cases the stem is made of Stainless Steel 316. Packing with PTFE rings. Other materials under request.

## RATING

TEMPERATURE °C (°F)	AC TYPE	SS TYPE	LA TYPE BRASS
	CARBON STEEL	STAINLESS BAR (PSI)	
from -29 to 38 (-20 to 100)	255 (3700)	248 (3600)	153 (2220)
200 (392)	-	-	132 (1915)
250 (482)	209 (3032)	167 (2423)	-



# Integral Bonnet Needle Valves



## Straight type

THREAD H	BORE mm	A	B	C	C1	D	E	THREAD NPT CODE	THREAD BSP CODE
1/8	4,5	70	77	52	-	20,5	6	560.01.NP	560.01.BP
1/4	4,5	70	77	52	-	20,5	6	560.02.NP	560.02.BP
3/8	6,5	70	77	52	-	20,5	6	560.03.NP	560.03.BP
1/2	8	90	100	60	-	24,5	8	560.04.NP	560.04.BP

## Angled type

**E is the maximum thickness panel**

THREAD H	BORE mm	A	B	C	C1	D	E	THREAD NPT CODE	THREAD BSP CODE
1/8	4,5	70	77	-	26	20,5	6	561.01.NP	561.01.BP
1/4	4,5	70	77	-	26	20,5	6	561.02.NP	561.02.BP
3/8	6,5	70	77	-	26	20,5	6	561.03.NP	561.03.BP
1/2	8	90	100	-	30	24,5	8	561.04.NP	561.04.BP

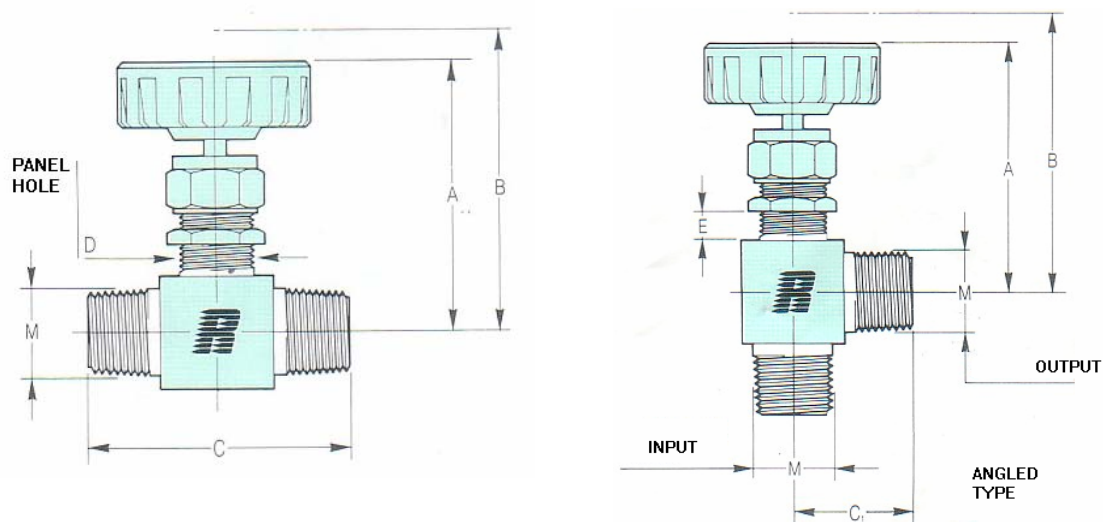
(\*)Dimensions in mm



Comercial de Válvulas y Accesorios, S.A.  
 Polígono Industrial Polizur, Calle Bosc Tancat, 6 Nave 2 y 3  
 08290 Cerdanyola del valles ( Barcelona) – Spain Tel. 93 586 36 00 Fax 93 586 36 04  
 e-mail: [info@cva.es](mailto:info@cva.es)  
 URL: [www.jlx-valve.com](http://www.jlx-valve.com)

Remark: The dimensions of this catalogue are for reference only and it can change without previous notice.

# Integral Bonnet Needle Valves



## Straight type

THREAD H	BORE MM	A	B	C	C1	D	E	THREAD NPT CODE	THREAD BSP CODE
1/8	4,5	70	77	50	-	20,5	6	562.01.NP	562.01.BT
1/4	4,5	70	77	60	-	20,5	6	562.02.NP	562.02.BT
3/8	6,5	70	77	62	-	20,5	6	562.03.NP	562.03.BT
1/2	8	90	100	76	-	24,5	8	562.04.NP	562.04.BT

## Angled Type

**E is the maximum thickness panel**

THREAD H	BORE MM	A	B	C	C1	D	E	THREAD NPT CODE	THREAD BSP CODE
1/8	4,5	70	77	-	25	20,5	6	563.01.NP	563.01.BT
1/4	4,5	70	77	-	30	20,5	6	563.02.NP	563.02.BT
3/8	6,5	70	77	-	31	20,5	6	563.03.NP	563.03.BT
1/2	8	90	100	-	38	24,5	8	563.04.NP	563.04.BT

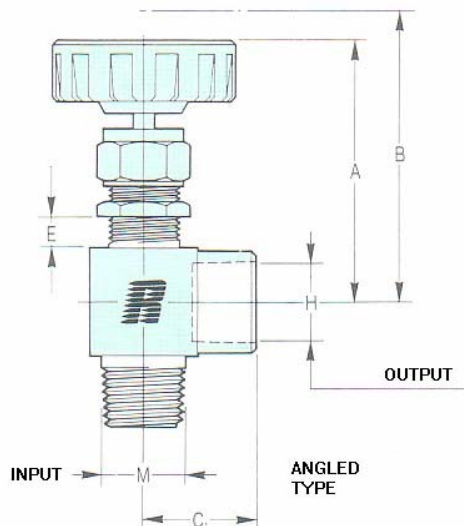
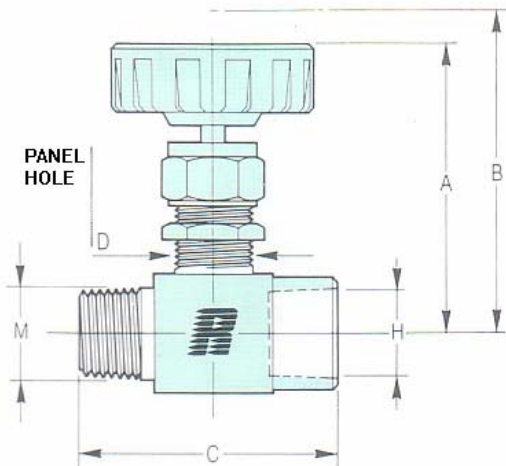
(\*)Dimensions in mm



Comercial de Válvulas y Accesorios, S.A.  
 Polígono Industrial Polizur, Calle Bosc Tancat, 6 Nave 2 y 3  
 08290 Cerdanyola del valles ( Barcelona) – Spain Tel. 93 586 36 00 Fax 93 586 36 04  
 e-mail: [info@cva.es](mailto:info@cva.es)  
 URL: [www.jlx-valve.com](http://www.jlx-valve.com)

Remark: The dimensions of this catalogue are for reference only and it can change without previous notice.

# Integral Bonnet Needle Valves



## Straight Type

THREAD M	THREAD H	BORE MM	A	B	C	C1	D	E	THREAD NPT CODE	THREAD BSPT x BSP CODE
1/8	1/8	4,5	70	77	51	-	20,5	6	565.01.NP	565.01.GAS
1/4	1/4	4,5	70	77	56	-	20,5	6	565.02.NP	565.02.GAS
3/8	3/8	6,5	70	77	57	-	20,5	6	565.03.NP	565.03.GAS
1/2	1/2	8	90	100	68	-	24,5	8	565.04.NP	565.04.GAS

## Angled Type

**E is the maximum thickness panel**

THREAD M	THREAD H	BORE MM	A	B	C	C1	D	E	THREAD NPT CODE	THREAD BSPT x BSP CODE
1/8	1/8	4,5	70	77	-	26	20,5	6	566.01.NP	566.01.GAS
1/4	1/4	4,5	70	77	-	26	20,5	6	566.02.NP	566.02.GAS
3/8	3/8	6,5	70	77	-	26	20,5	6	566.03.NP	566.03.GAS
1/2	1/2	8	90	100	-	30	24,5	8	566.04.NP	566.04.GAS

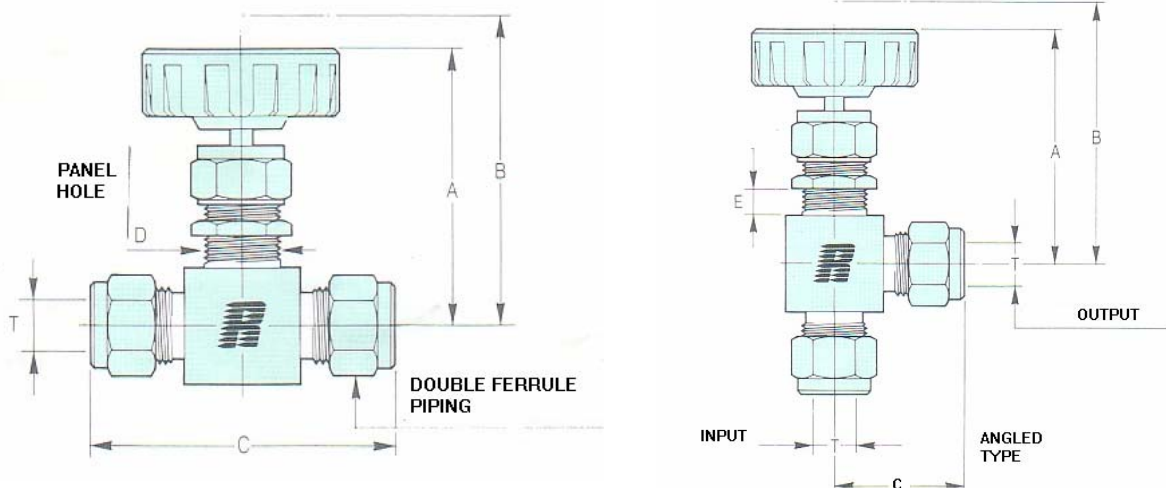
(\*Dimensions in mm



Comercial de Válvulas y Accesorios, S.A.  
 Polígono Industrial Polizur, Calle Bosc Tancat, 6 Nave 2 y 3  
 08290 Cerdanyola del valles ( Barcelona) – Spain Tel. 93 586 36 00 Fax 93 586 36 04  
 e-mail: [info@cva.es](mailto:info@cva.es)  
 URL: [www.jlx-valve.com](http://www.jlx-valve.com)

Remark: The dimensions of this catalogue are for reference only and it can change without previous notice.

# Integral Bonnet Needle Valves



## Straight Type

T PIPE INCH.	CODES	T PIPE MM	CODES	BORE MM	A	B	C	C1	D	E
1/4	550.1/4.1/4	6	550.06.06	4,5	70	77	55	-	20,5	6
5/16	550.5/16.5/16	8	550.08.08	4,5	70	77	55	-	20,5	6
3/8	550.3/8.3/8	10	550.10.10	4,5	70	77	65	-	20,5	6
1/2	550.1/2.1/2	12	550.12.12	6,5	90	100	75	-	24,5	8

## Angled Type

**E is the maximum thickness panel**

T PIPE INCH.	CODES	T PIPE MM	CODES	BORE MM	A	B	C	C1	D	E
1/4	551.1/4.1/4	6	551.06.06	4,5	70	77	-	27	20,5	6
5/16	551.5/16.5/16	8	551.08.08	4,5	70	77	-	27	20,5	6
3/8	551.3/8.3/8	10	551.10.10	4,5	70	77	-	32	20,5	6
1/2	551.1/2.1/2	12	551.12.12	6,5	90	100	-	36	24,5	8

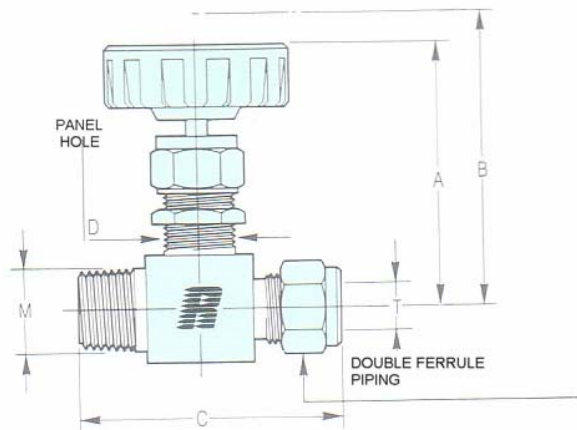
(\*)Dimensions in mm



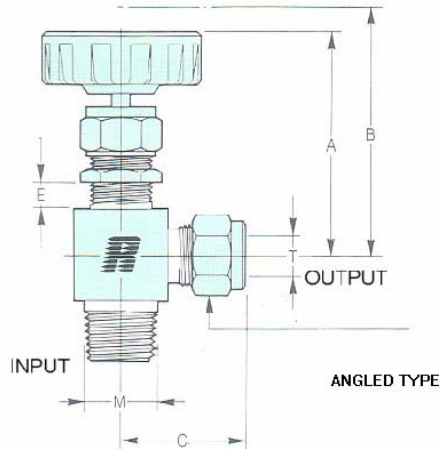
Comercial de Válvulas y Accesorios, S.A.  
 Polígono Industrial Polizur, Calle Bosc Tancat, 6 Nave 2 y 3  
 08290 Cerdanyola del valles ( Barcelona) – Spain Tel. 93 586 36 00 Fax 93 586 36 04  
 e-mail: [info@cva.es](mailto:info@cva.es)  
 URL: [www.jlx-valve.com](http://www.jlx-valve.com)

Remark: The dimensions of this catalogue are for reference only and it can change without previous notice.

# Integral Bonnet Needle Valves



**Straight Type**



**Straight Type**

T PIPE INCH.	THREAD M	THREAD NPT CODE	THREAD BSPT CODE
1/4	1/4	552.1/4.02.NP	552.1/4.02.BT
5/16	1/4	552.5/16.02.NP	552.5/16.02.BT
3/8	3/8	552.3/8.03.NP	552.3/8.03.BT
1/2	1/2	552.1/2.04.NP	552.1/2.04.BT

T PIPE INCH.	THREAD M	THREAD NPT CODE	THREAD BSPT CODE
6	1/4	552.06.02.NP	552.06.02.BT
8	1/4	552.08.02.NP	552.08.02.BT
10	3/8	552.10.03.NP	552.10.03.BT
12	1/2	552.12.04.NP	552.12.04.BT

**Angled Type**

**Angled Type**

T PIPE INCH.	THREAD M	THREAD NPT CODE	THREAD BSPT CODE
1/4	1/4	555.1/4.02.NP	555.1/4.02.BT
5/16	1/4	555.5/16.02.NP	555.5/16.02.BT
3/8	3/8	555.3/8.03.NP	555.3/8.03.BT

T PIPE INCH.	THREAD M	THREAD NPT CODE	THREAD BSPT CODE
6	1/4	555.06.02.NP	555.06.02.BT
8	1/4	555.08.02.NP	555.08.02.BT
10	3/8	555.10.03.NP	555.10.03.BT

**E is the maximum thickness panel**

BORE MM	A	B	C	C1	D	E
4,5	70	77	57	-	20,5	6
4,5	70	77	57	-	20,5	6
4,5	70	77	63	-	20,5	6
6,5	90	100	74	-	24,5	8

BORE MM	A	B	C	C1	D	E
4,5	70	77	-	27	20,5 - 6	
4,5	70	77	-	27	20,5	6
4,5	70	77	-	32	20,5	6
6,5	90	100	-	36	24,5	8

(\*)Dimensions in mm



Comercial de Válvulas y Accesorios, S.A.  
 Polígono Industrial Polizur, Calle Bosc Tancat, 6 Nave 2 y 3  
 08290 Cerdanyola del valles ( Barcelona) – Spain Tel. 93 586 36 00 Fax 93 586 36 04

e-mail: [info@cva.es](mailto:info@cva.es)  
 URL: [www.jlx-valve.com](http://www.jlx-valve.com)

Remark: The dimensions of this catalogue are for reference only and it can change without previous notice.