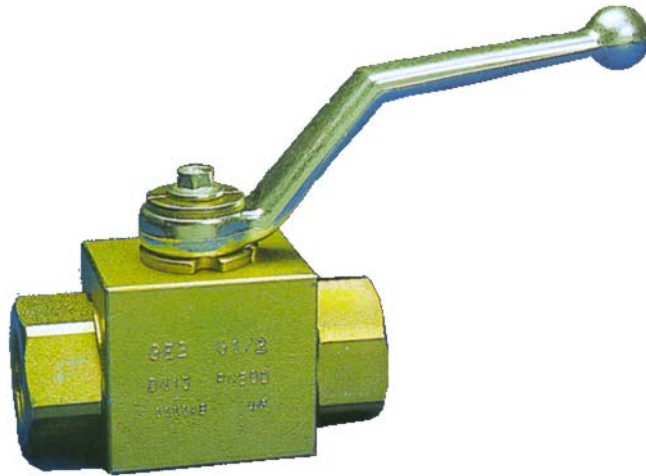


# Ball Valve 2 ways High Pressure Type

Size 1/8" – 1" Carbon Steel

---



## **SERIES 20 FULL BORE**



Comercial de Válvulas y Accesorios, S.A.  
Polígono Industrial Polizur, Calle Bosc Tancat, 6 Nave 2 y 3  
08290 Cerdanyola del valles ( Barcelona) – Spain Tel. 93 586 36 00 Fax 93 586 36 04  
e-mail: [info@cva.es](mailto:info@cva.es)  
URL: [www.jlx-valve.com](http://www.jlx-valve.com)

Remark: The dimensions of this catalogue are for reference only and it can change without previous notice.

# Ball Valve 2 ways High Pressure Type

## GENERAL CHARACTERISTICS

Ball Valves two ways manufactured from Barstock for pressures up to 500 bar. Recommended for hydraulic, pneumatic and steam facilities.

## CONNECTIONS

Manufactured from 1/8" to 1", threaded according the following:

NPT, according ANSI B2.1

BSP, according DIN 259

BSPT, according DIN 2999

Also manufactured with double ferrule connections.

## MATERIALS

Manufactured in :

AC Type. In Carbon Steel UNE 36011

Carbon Steel Ball Valves are Yellow zinc passivated finish.

### MAXIMUM AND MINIMUM ADMISSIBLE WORKING TEMPERATURES FOR SEAL

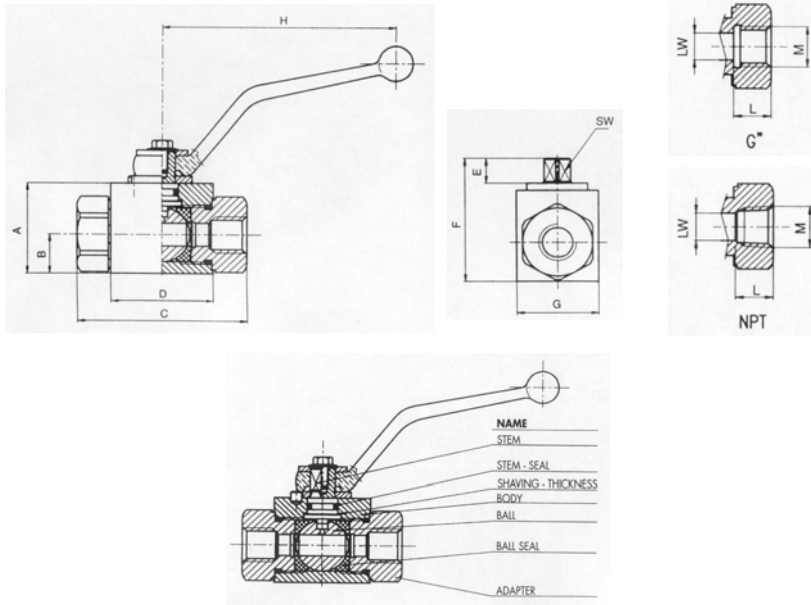
POM	-30° a +100°
NBR	-30° a +100°
RPTFE	-220° a +230°
PEEK	-50° a +250°
VITON	-25° a +200°
EPDM	-50° a +150°
PA612	-45° a +145°
GEMPTFE	-200° a +150°
HNBR	-40° a +150°

### MATERIAL DESCRIPTION

Body	9 SMnPb 36
<i>Ball</i>	9 SMnPb 36
<i>Stem</i>	9 SMnPb 36
Pipe fitting	9 SMnPb 36
Ball seal	POM
Stem seal	NBR
Pipe fit. seal	NBR



# Ball Valve 2 ways High Pressure Type



## FEMALE GAS DIN/ISO 228

TYPE	DN	PN	A	B	C	D	E	F	G	H	L	M	SW	LW	Kg
1/8"	4	500 bar	35	14	71	42	11	49	30	110	11	G 1/8"	9	4	0,5
1/4"	6	500 bar	35	14	71	42	11	49	30	110	16	G 1/4"	9	6	0,5
3/8"	10	500 bar	40	17	73	44	11	54	35	110	16	G 3/8"	9	10	0,65
1/2"	13	500 bar	43	18	83	48	11	57	37	110	17	G 1/2"	9	13	0,75
3/4"	20	400 bar	55	23	95	62	13	73	45	180	21	G 3/4"	14	20	1,4
1"	25	350 bar	65	29	113	67	13	83	55	180	24	G 1"	14	25	2,2

## FEMALE NPT ANSI B 1.20.1

TYPE	DN	PN	A	B	C	D	E	F	G	H	L	M	SW	LW	Kg
1/8"	4	7250 psi	35	14	71	42	11	49	30	110	11	N 1/8"	9	4	0,5
1/4"	6	7250 psi	35	14	71	42	11	49	30	110	16	N 1/4"	9	6	0,5
3/8"	10	7250 psi	40	17	73	44	11	54	35	110	16	N 3/8"	9	10	0,65
1/2"	13	7250 psi	43	18	83	48	11	57	37	110	17	N 1/2"	9	13	0,75
3/4"	20	5800 psi	55	23	95	62	13	73	45	180	21	N 3/4"	14	20	1,4
1"	25	5075 psi	65	29	113	67	13	83	55	180	24	N 1"	14	25	2,2

