

Needle Valves for Instrumentation Isolation



Gauge Type



Comercial de Válvulas y Accesorios, S.A.
Polígono Industrial Polizur, Calle Bosc Tancat, 6 Nave 2 y 3
08290 Cerdanyola del valles (Barcelona) – Spain Tel. 93 586 36 00 Fax 93 586 36 04
e-mail: info@cva.es
URL: www.jlx-valve.com

Remark: The dimensions of this catalogue are for reference only and it can change without previous notice.

Needle Valves for Instrumentation Isolation

GENERAL CHARACTERISTICS

Needle Valves specially designed to isolate and protect gauges, switches and sensitive measurement devices.

Male and female threads with different connection possibilities, versions with or without drain and with test flanges.

The standard version is supplied with lever, with hand wheel under request.

CONNECTIONS

Manufactured only in 1/2", threaded according the following:

NPT, according ANSI B2.1

BSP, according DIN 259

MATERIALS

Manufactured in three standard versions:

AC Type. In Carbon Steel UNE 36011

SS Type. In Stainless Steel 316 Type

LA Type. In Brass DIN 17660

In all the cases the stem and the tip are made of Stainless Steel 316.

Under request we can manufacture valves in Hastelloy, Duplex, Superduplex, Monel in a short delivery time.

PACKING

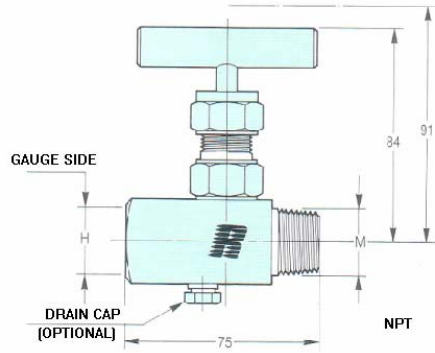
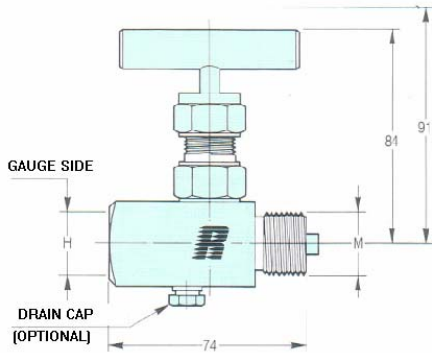
Graphite packing. Other materials under request.

RATING

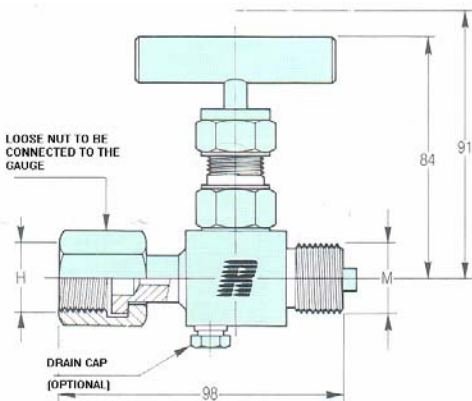
TEMPERATURE °C (°F)	AC TYPE	SS TYPE	
	CARBON STEEL	STAINLESS	LA TYPE BRASS
	BAR (PSI)		
from -29 to 38 (-20 to 100)	425 (6166)	414 (6000)	153 (2220)
200 (392)	-	-	132 (1915)
400 (752)	287 (4164)	242 (3511)	-
400 (752)	287 (4164)	242 (3511)	-



Needle Valves for Instrumentation Isolation

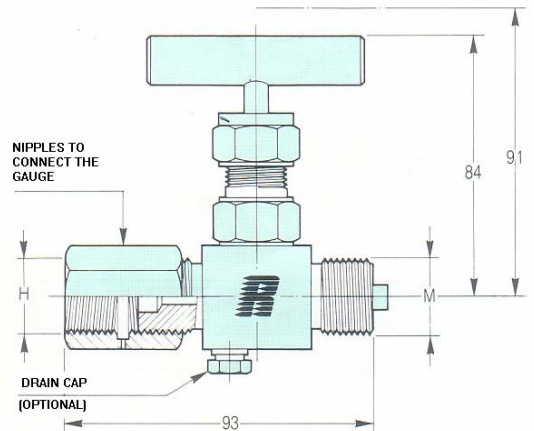


CONNECTIONS		CODES	
F	M	WITH DRAIN	WITHOUT DRAIN
1/2 BSP	1/2 BSP	900.04.BP	901.04.BP
1/2 NPT	1/2 NPT	900.04.NP	901.04.NP



CONNECTIONS		CODES	
F	M	WITH DRAIN	WITHOUT DRAIN
1/2 BSP	1/2 BSP	902.04.BP	903.04.BP

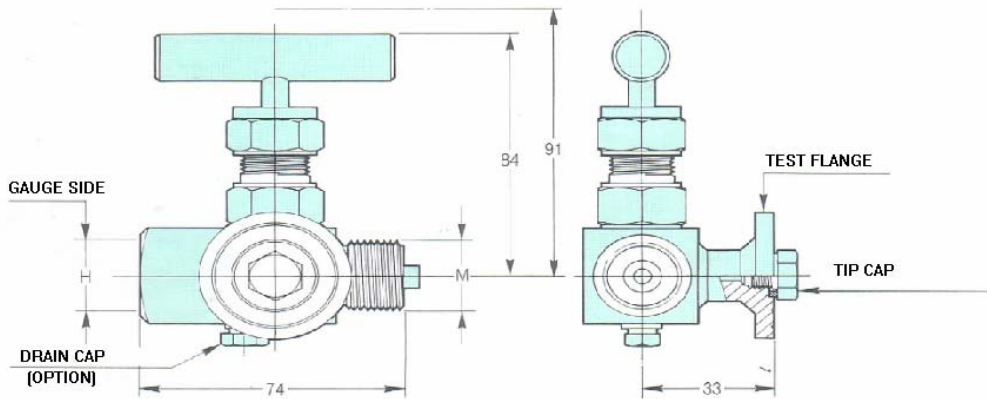
CONNECTIONS		CODES	
F	M	WITH DRAIN	WITHOUT DRAIN
1/2 BSP	1/2 BSP	904.04.BP	905.04.BP



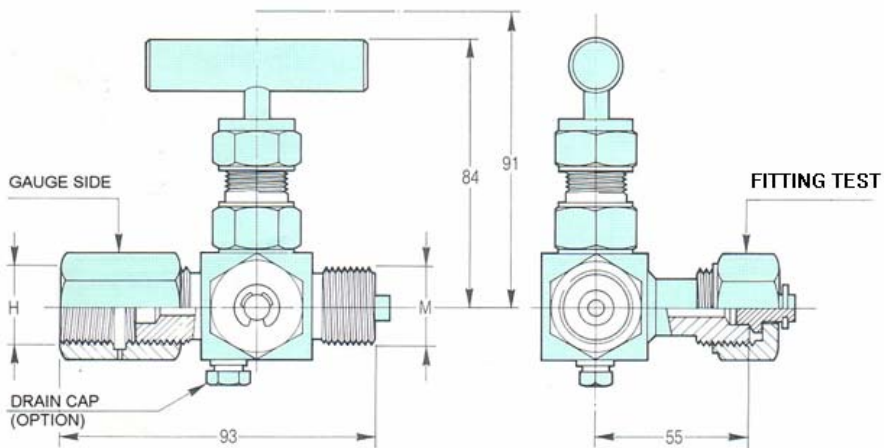
Comercial de Válvulas y Accesorios, S.A.
 Polígono Industrial Polizur, Calle Bosc Tancat, 6 Nave 2 y 3
 08290 Cerdanyola del valles (Barcelona) – Spain Tel. 93 586 36 00 Fax 93 586 36 04
 e-mail: info@cva.es
 URL: www.jlx-valve.com

Remark: The dimensions of this catalogue are for reference only and it can change without previous notice.

Needle Valves for Instrumentation Isolation



CONNECTIONS		CODES	
F	M	WITH DRAIN	WITHOUT DRAIN
1/2 BSP	1/2 BSP	906.04.BP	907.04.BP



CONNECTIONS		CODES	
F	M	WITH DRAIN	WITHOUT DRAIN
1/2 BSP	1/2 BSP	908.04.BP	909.04.BP

