

# Brass Valves for Gauges

---



## Minifluid Type 65/67



Comercial de Válvulas y Accesorios, S.A.  
Polígono Industrial Polizur, Calle Bosc Tancat, 6 Nave 2 y 3  
08290 Cerdanyola del valles ( Barcelona) – Spain Tel. 93 586 36 00 Fax 93 586 36 04  
e-mail: [info@cva.es](mailto:info@cva.es)  
URL: [www.jlx-valve.com](http://www.jlx-valve.com)

Remark: The dimensions of this catalogue are for reference only and it can change without previous notice.

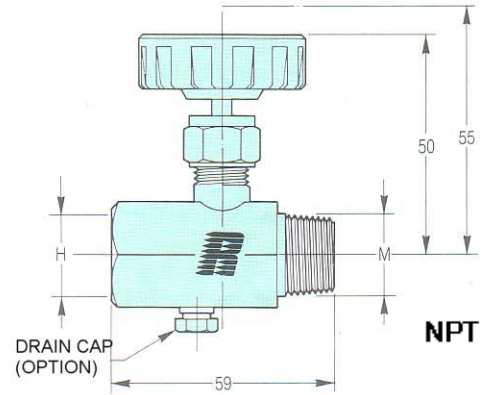
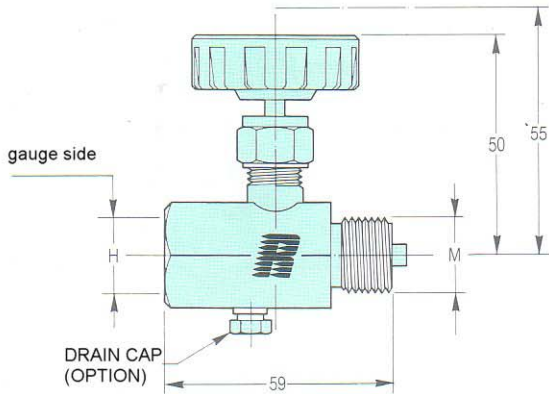
# Brass Valves for Gauges

Brass valves Minifluid Type. See general characteristics in Minifluid Type technical data sheet.

Dimensions 1/4" and 1/2", threaded NPT and BSP.

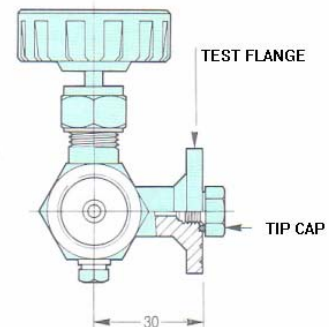
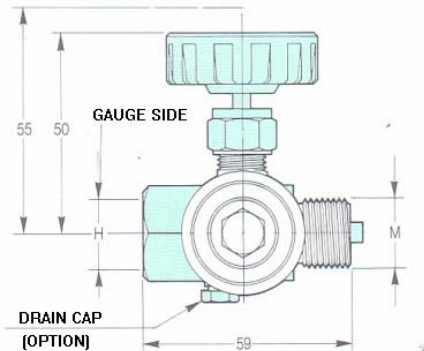
Versions with or without drain and with test flange.

Maximum rating is 64 Bar to 100°C (928 PSI to 212°F).



CONNECTIONS		CODES	
F	M	WITH DRAIN	WITHOUT DRAIN
1/4 BSP	1/4 BSP	65.02.BP	66.02.BP
1/2 BSP	1/2 BSP	65.04.NP	66.04.BP

CONNECTIONS		CODES	
F	M	WITH DRAIN	WITHOUT DRAIN
1/4 NPT	1/4 NPT	65.02.BP	66.02.BP
1/2 NPT	1/2 NPT	65.04.NP	66.04.BP



CONNECTIONS		REFERENCES	
F	M	WITH DRAIN	WITHOUT DRAIN
1/4 NPT	1/4 NPT	67.02.BP	68.02.BP
1/2 NPT	1/2 NPT	67.04.NP	68.04.BP



Comercial de Válvulas y Accesorios, S.A.  
 Polígono Industrial Polizur, Calle Bosc Tancat, 6 Nave 2 y 3  
 08290 Cerdanyola del valles ( Barcelona) – Spain Tel. 93 586 36 00 Fax 93 586 36 04

e-mail: [info@cva.es](mailto:info@cva.es)  
 URL: [www.jlx-valve.com](http://www.jlx-valve.com)

Remark: The dimensions of this catalogue are for reference only and it can change without previous notice.