

Dual Plate Wafer Check Valves

150-1500 lbs

Size 2" - 36" Carbon and Stainless Steel



VRRC type WAFER



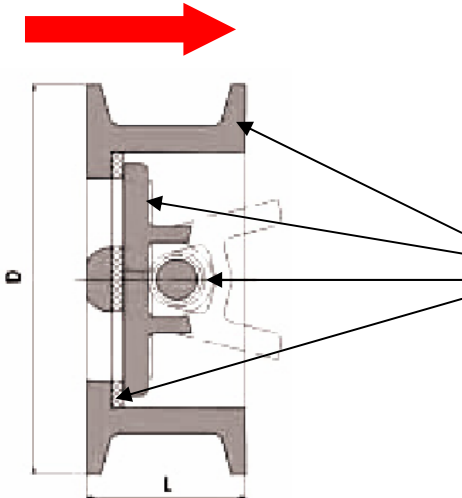
Comercial de Válvulas y Accesorios, S.A.
Polígono Industrial Polizur, Calle Bosc Tancat, 6 Nave 2 y 3
08290 Cerdanyola del valles (Barcelona) – Spain Tel. 93 586 36 00 Fax 93 586 36 04
e-mail: info@cva.es
URL: www.jlx-valve.com

Remark: The dimensions of this catalogue are for reference only and it can change without previous notice.

Dual Plate Wafer Check Valves

150-1500 lbs

Parts and materials, Dimensions



Item	Description	Carbon Steel		Stainless Steel	
		WCB	LCB	CF8M	CF8M
1	Body	WCB + 410	LCB + 316	CF8M	CF8M
2	Disc	WCB + 410	LCB + 316	CF8M	CF8M
3	Spring	316 / Inconel			
4	Seat	410	316	316	316
5	Hinge Pin	410	316	316	316
6	Pin	410	316	316	316
7	Bearing	410	316	316	316
8	Washer	410	316	316	316
9	Bush	410	316	316	316
10	Gland	410	316	316	316
12	Stud Bolt	B7	L7	B8	B8

BASIC DESIGN STANDARDS	
Basic Design	API 594
Face to Face	API 594
Flanges up to 24"	ANSI B16.5
Flanges from to 26"	ANSI B16.47
Testing	API 598

SIZE	150 lbs			300 lbs			600 lbs			900 lbs			1500 lbs		
	L	D	Kg	L	D	Kg	L	D	Kg	L	D	Kg	L	D	Kg
2" (DN 50)	60	103	3,2	60	111	3,2	60	111	3,2	70	143	8,2	70	143	8,2
2½" (DN 65)	67	122	3,6	67	128	4	67	128	5	83	162	11	83	162	11
3" (DN 80)	73	136	6,4	73	149	7,7	73	149	7,7	83	168	11,8	83	175	12,7
4" (DN 100)	73	175	9,5	73	181	10,5	79	194	12,7	102	206	19,1	102	210	20,5
6" (DN 150)	98	220	16	98	251	20	136	267	36	159	289	54	159	283	56
8" (DN 200)	127	277	36	127	308	40	165	321	72	206	359	122	206	352	128
10" (DN 250)	146	340	52	146	362	56	213	400	118	248	435	196	248	435	205
12" (DN 300)	181	408	97	181	422	98	229	458	164	305	498	293	305	521	373
14" (DN 350)	184	451	123	222	485	176	273	492	186	356	521	396	356	578	484
16" (DN 400)	191	515	133	232	540	210	305	565	330	384	575	532	384	641	588
18" (DN 450)	203	549	141	264	597	295	362	613	394	468	638	611	468	705	791
20" (DN 400)	219	603	215	292	654	365	368	683	544	533	699	637	533	756	1275
24" (DN 600)	222	717	358	318	774	520	438	791	820	559	838	1230	559	902	2713
30" (DN 750)	305	883	662	368	953	950	505	972	1578	-	-	-	-	-	-
32" (DN 800)	318	940	685	394	1006	1270	559	1022	1743	-	-	-	-	-	-
36" (DN 900)	368	1048	710	483	1118	1635	635	1130	2120	-	-	-	-	-	-

(*Dimensions in mm



Comercial de Válvulas y Accesorios, S.A.
 Polígono Industrial Polizur, Calle Bosc Tancat, 6 Nave 2 y 3
 08290 Cerdanyola del valles (Barcelona) – Spain Tel. 93 586 36 00 Fax 93 586 36 04
 e-mail: info@cva.es
 URL: www.jlx-valve.com

Remark: The dimensions of this catalogue are for reference only and it can change without previous notice.