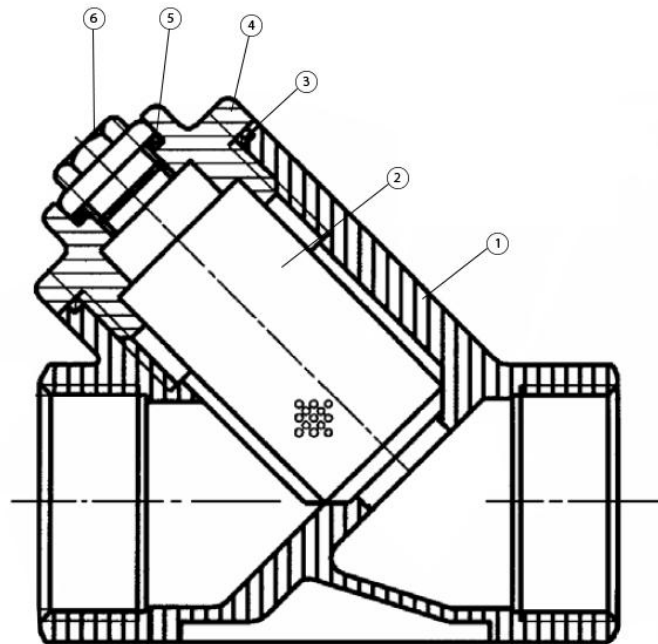
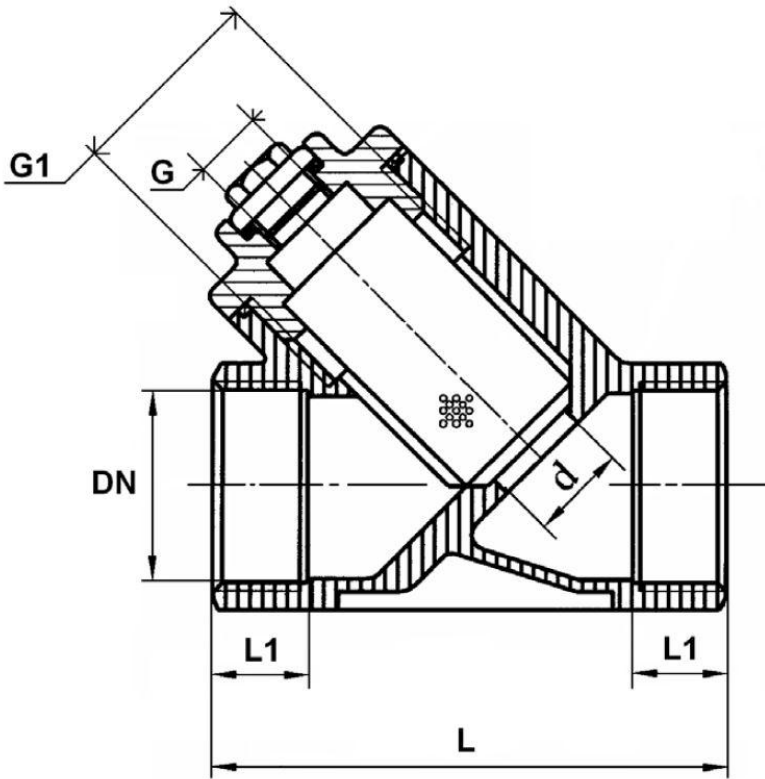
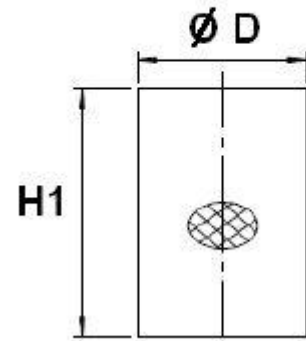


Item	Description	Material of construction
1	Body	ASTM A351 CF8M
2	Filter	SS 304
3	Body gasket	PTFE
4	Bonnet	ASTM A351 CF8M
5	Cap gasket	PTFE
6	Cap	ASTM A351 CF8M





Filter size :



SIZE	1/4"	3/8"	1/2"	3/4"	1"	1 1/4"	1 1/2"	2"
L	64	64	64	80	89	106.5	118	139
L1	12	12	13	14.5	16.5	19	19	23
Ød	10.5	12.5	15	20	25	32	38	50
G	1/4"	1/4"	1/4"	1/4"	3/8"	1/2"	1/2"	3/4"
G1	23.8 x 1.5	23,8 x 1.5	23,8 x 1.5	29,5 x 1.5	39.8 x 1.5	41,8 x 1.5	49,8 x 1.5	49,8 x 1.5
H1	28.5	28.5	28.5	40	49	54	63.5	76
ØD	19	19	19	23	32	36	44	54
Weight (Kg)	0.23	0.21	0.21	0.35	0.61	0.89	1.11	1.63

DESIGN STANDARDS	
Valves design	ISO 9001
End to End Dimensions	Manufacturer's standard
Ends	ISO 228/1
TESTS AND CERTIFICATES	
Directive	97/23/CE: CE n° 0035
Risk category	II
Quality	Acc. EN 50049-2.2

Description	Technical Features
Temperature	- 20°C + 200°C
Accessories	With draining cap and removable stainless steel filter
Max. Pressure	16 bars
Mesh	10/10 ^o mm (100 μ)
Horizontal or vertical position	With descendant fluid
Size	DN 1/4" to 2"
Ends	Female - Female BSP

Head Loss Graph:

