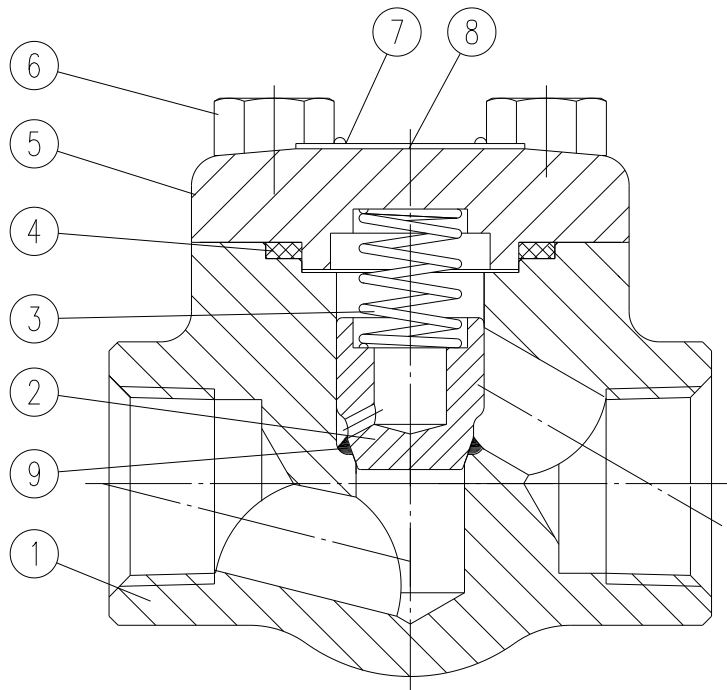


**API 602, BS 5352,
ASME B16.34 & MSS SP-118**

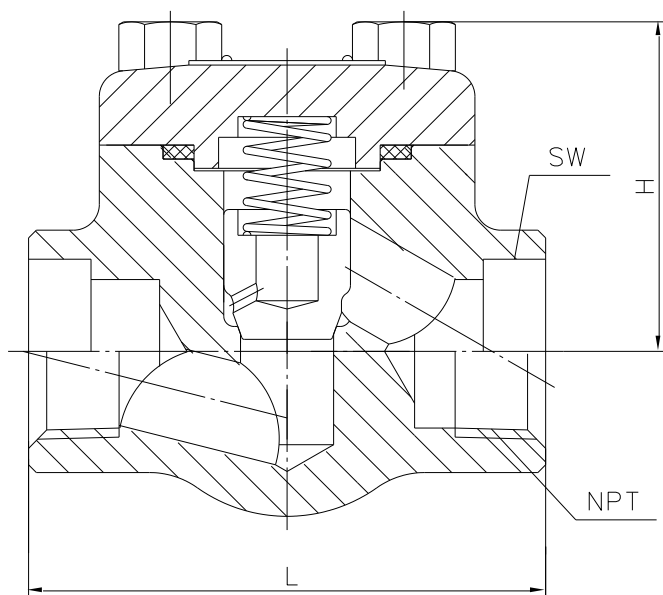


Item	Description	Material	
		Carbon Steel	Stainless Steel
1	Body	A 105	A 182 F316L
2	Piston disc	A 276 420	A 182 F316L
3	Spring	17-4 PH	
4	Gasket	AISI 304 + Graphite	AISI 316 + Graphite
5	Bonnet	A 105	A 182 F316L
6	Bolt	A 193 B7	A 193 B8M
7	Ribet	A 182 F304	A 182 F316
8	Nameplate	Aluminium	
9	Seat	A 105 + STL	A 182 F316L + STL



SIZE	L	NPT	H	Weight
1/2" (DN 15)	79	1/2"	51	1,2
3/4" (DN 20)	92	3/4"	55	1,5
1" (DN 25)	111	1"	68	3,1
1 1/4" (DN 32)	120	1 1/4"	97	3,9
1 1/2" (DN 40)	152	1 1/2"	97	5,6
2" (DN 50)	172	2"	103	8,9

(*) Dimensions in mm and weight in kg
 For other sizes consult to the technical department.



DESIGN STANDARDS				
Valves design	BS 5352	MSS SP118	ASME B16.34	API 602
Connections	ANSI B 1.20.1	ANSI B16.11		
Face to face dimensions	Manufacturer's standard			
TESTS AND CERTIFICATES				
Quality Assurance	ISO 9001			
Pressure testing	EN 12266-1			
Marking	EN 19			

Kv VALUES			
VALVE SIZE	Kv	VALVE SIZE	Kv
½" (DN 15)	22,3	1¼" (DN 32)	642,7
¾" (DN 20)	42,8	1½" (DN 40)	1114
1" (DN 25)	80,5	2" (DN 50)	1970

Pressure-Temperature Chart

