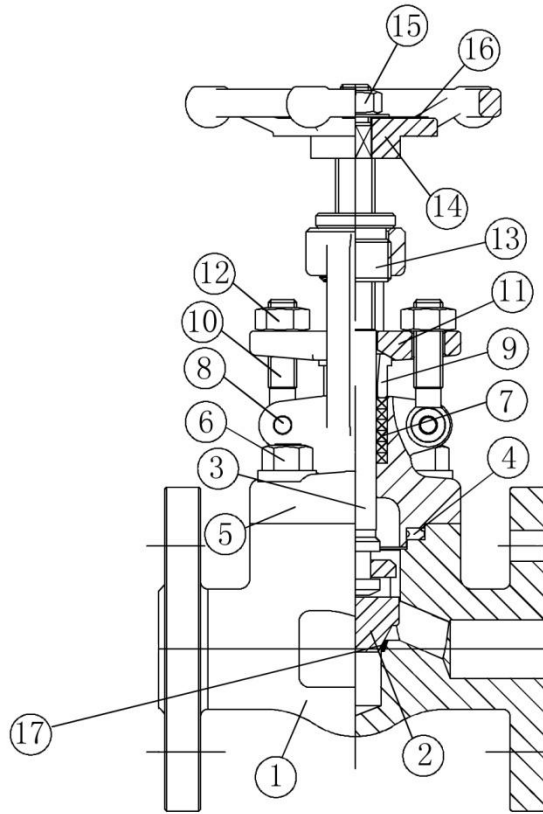


API 602, ASME B16.34 & BS 5352



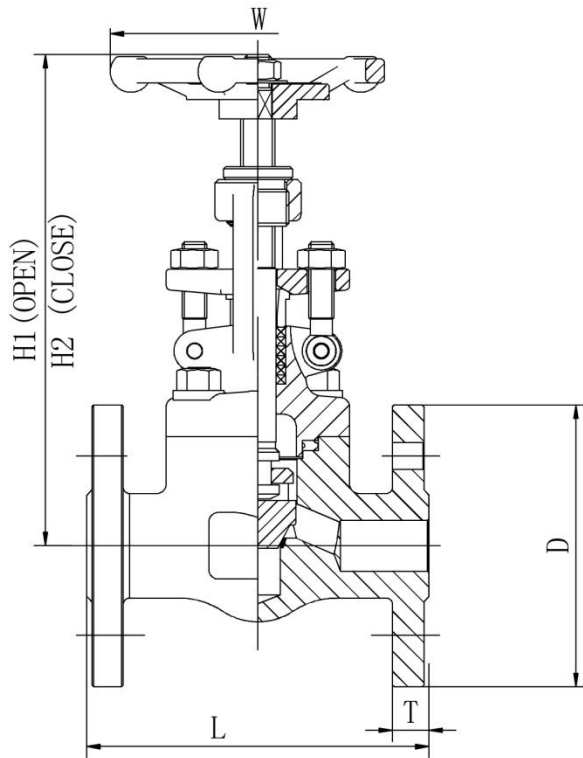


Item	Description	Material	
		Carbon Steel	Stainless Steel
1	Body	A 105	A 182 F316L
2	Disc	AISI 420 + STL	A 182 F316L
3	Stem	AISI 410	A 182 F316L
4	Gasket	AISI 304 + Graphite	AISI 316 + Graphite
5	Bonnet	A 105	A 182 F316L
6	Bolt	A 193 B7	A 193 B8M
7	Packing	Flexible Graphite + Carbon Fibre	
8	Pin	AISI 420	AISI 304
9	Packing Gland	AISI 420	AISI 316L
10	Eye Bolt	A 193 B8	A 193 B8M
11	Gland Flange	A 105	A 182 F316L
12	Hex Nut	A 194 8	A 194 8M
13	Yoke Nut	AISI 410	
14	Handwheel	A 197	
15	Hex Nut	1035 Zinc Plated	
16	Nameplate	Aluminium	
17	Seat	A 105 + STL	A 182 F316L + STL

Series G150RF (Class 150)

SIZE	L	D	T	W	H	WEIGHT
1/2" (DN 15)	108	89	11,5	100	158	3,3
3/4" (DN 20)	117	98	13	100	163	4
1" (DN 25)	127	108	14,5	125	193	6
1 1/4" (DN 32)	140	118	16	160	250	7
1 1/2" (DN 40)	165	127	17,5	160	250	10,5
2" (DN 50)	203	152	19,5	180	291	17

(*) Dimensions in mm and weight in kg.



Series G300RF (Class 300)

SIZE	L	D	T	W	H	WEIGHT
1/2" (DN 15)	152	95	14,5	100	158	4,8
3/4" (DN 20)	178	118	16	100	163	6,2
1" (DN 25)	203	124	17,5	125	193	9,3
1 1/4" (DN 32)	216	133	19,5	160	250	14
1 1/2" (DN 40)	229	156	21	160	250	16
2" (DN 50)	267	165	22,5	180	291	24

(*) Dimensions in mm and weight in kg.

Series G600RF (Class 600)

SIZE	L	D	T	W	H	WEIGHT
1/2" (DN 15)	165	95,5	21,3	100	158	6,2
3/4" (DN 20)	190	117,5	22,9	100	163	8,4
1" (DN 25)	216	124	24,5	125	193	12,6
1 1/4" (DN 32)	229	133,5	27,7	160	250	21,8
1 1/2" (DN 40)	241	156	29,3	160	250	22,5
2" (DN 50)	292	165,1	32,4	180	291	32

(*) Dimensions in mm and weight in kg.

DESIGN STANDARDS				
Valves design	ASME B16.34	API 602	BS 5352	
End to End Dimensions	ASME B16.10	ISO 5752		
Flanged Dimensions	ASME B16.5	ISO 7005- Pat. 1	BS 3293	MSS SP-44
Buttweld Dimensions	ASME B16.25			
Visual Inspection	MSS SP- 55			
Marking	MASS SP-25	ISO 5209		
TESTS AND CERTIFICATES				
Pressure testing	API 598	ISO 5208	EN 12266-1	MSS SP-61
Others	CE			

Cv VALUES IN US Gallons/min			
DN	Cv	DN	Cv
50 (2")	45	200 (8")	650
65 (2½")	60	250 (10")	850
80 (3")	90	300 (12")	1000
100 (4")	145	350 (14")	1400
125 (5")	270	400 (16")	2100
150 (6")	380		

Kv Values in m3/h			
VALVE SIZE	Kv	VALVE SIZE	Kv
½" (DN 15)	22,3	1¼" (DN 32)	642,7
¾" (DN 20)	42,8	1½" (DN 40)	1114
1" (DN 25)	80,5	2" (DN 50)	1970

Pressure-Temperature Chart

A105

- A 105 600 #
- A 105 300 #
- A 105 150 #

A182 F316L

- A 182 F316L 600 #
- A 182 F316L 300 #
- A 182 F316L 150 #

