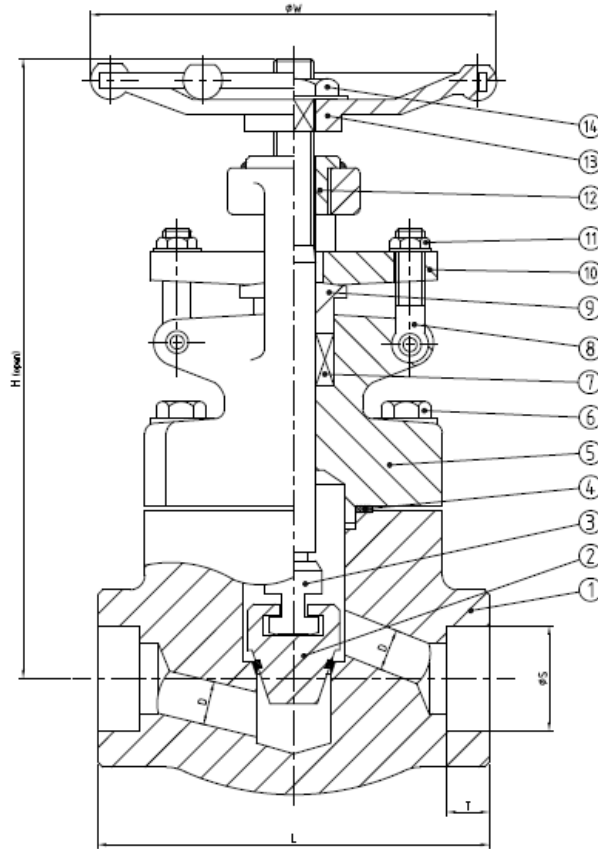
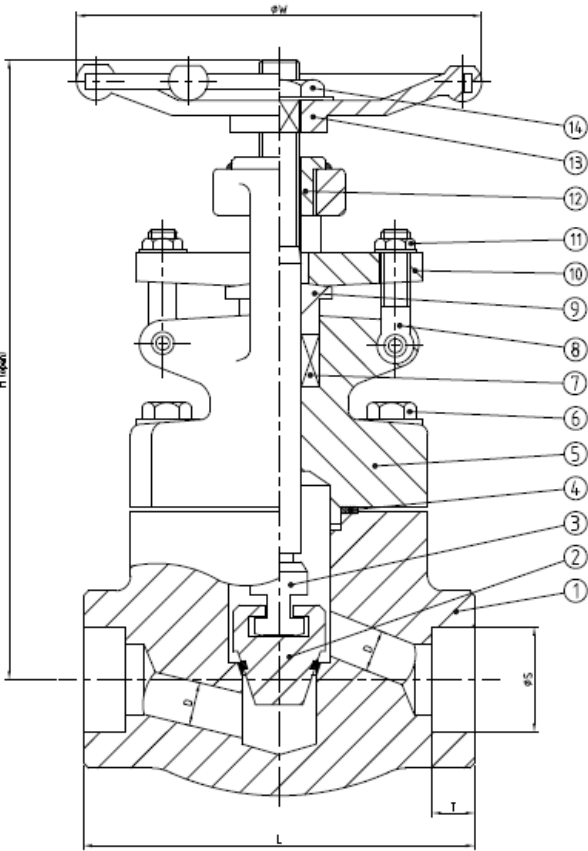


API 602, ASME B16.34 & BS 5352





Item	Description	Material	
		Carbon steel	Stainless Steel
1	Body	ASTM A 105+STL	A 182 F316L+STL
2	Disc	13Cr+STL	A 182 F316L+STL
3	Stem	13Cr	A 182 F316L
4	Gasket	SS304+Graphite	SS316+Graphite
5	Bonnet	ASTM A 105	A 182 F316L
6	Bonnet Bolt	A193B7M	A193B8M
7	Stem Packing	Graphite	Graphite
8	Bolt	A193B7M	A193B8M
9	Gland	13Cr	AISI316L
10	Gland Flange	ASTM A 105	A 182 F316L
11	Nut	A194 2HM	A194 8M
12	Stem Nut	13Cr	13Cr
13	Handwheel	A197	A197
14	H.W. Lock Nut	CARBON STEEL	CARBON STEEL



DN	L	H open	ØW	ØS	T	D	WEIGHT
15 (1/2")	111	167	100	21,8	10	10	3,5
20 (3/4")	111	207	125	27,2	13	13	4
25 (1")	120	240	160	33,9	13	17,5	6,3
40 (1 1/2")	172	290	180	48,8	13	28,5	12,5
50 (2")	220	337	200	61,2	16	35	19,5

(*) Dimensions in mm and weight in kg.

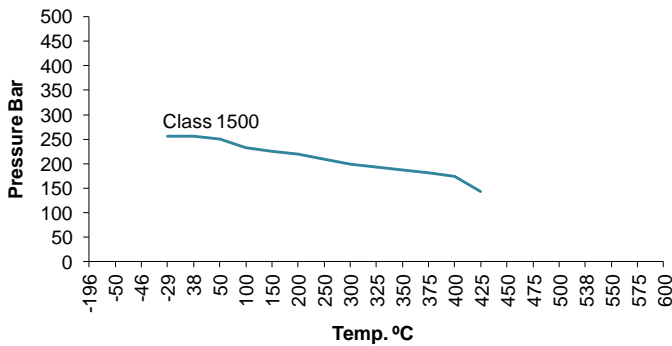
DESIGN STANDARDS			
Valves design	ASME B16.34	BS 5352	API 602
Connections	ANSI B1.20.1	ANSI B 16.11	
Shell thickness	ASME B16.34		
Face to face dimensions	Manufacturer's standard		
TESTS AND CERTIFICATES			
Quality Assurance	ISO 9001		
Pressure testing	EN 12266-1		
Others	EN19		

Kv Values in m3/h			
DN	Kv	DN	Kv
15 (½")	22,3	40 (1½")	111,4
20 (¾")	42,8	50 (2")	197
1" (25)	80,5		

Pressure-Temperature Chart

TEST PRESSURE Kg/cm2 (g)		
HYDROSTATIC		
BODY	SEAT & BACKSEAT	AIR SEAT
383	285	6

A105N



A479 316L

