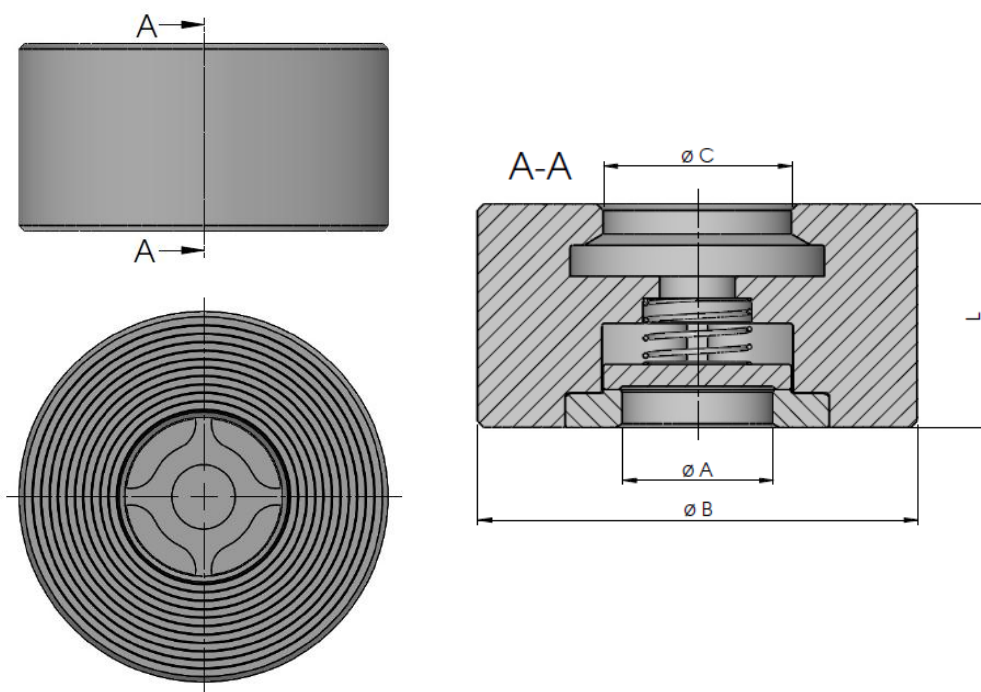


Description	Material
Body	A182 (AISI 316)
Disc	A240 (AISI 316)
Spring	AISI 316, Hastelloy C4
Seat	A182 (AISI 316)
Seals	Metal seated. Under request: NBR, EPDM, FKM, PTFE

Dimensions



DIMENSIONS					
DN	A	B	C	L	Weight
15 (1/2")	15	46	21	25	0,3
20 (3/4")	20	60	25	31,5	0,6
25 (1")	24	70	30	35,5	1
32 (1 1/4")	30	80	40	40	1,3
40 (1 1/2")	38	90	48	45	1,8
50 (2")	47	107	60	56	2,5
65 (2 1/2")	62	130	85	63	4
80 (3")	77	145	90	71	5,9
100 (4")	96	178	110	80	8

(*) Dimensions in mm and weight in kg
For other sizes consult to the technical department.

DESIGN STANDARDS	
GENERAL CHARACTERISTICS	
Rating	PN63 to 160, ANSI 600 & 900
Flange connection	EN-1092-1 B1
Face to face dimension	DIN EN 558-2, row 52
Temperature range	- 50°C to 350°C (depending on the seal and spring material)

Opening pressures in mbar									
Valve size	Direction of the fluid			Without spring	Valve size	Direction of the fluid			Without spring
	← →	↓	↑	↑		← →	↓	↑	↑
15	23	25	21	2	50	25	29	21	4
20	23	25	21	2	65	26	31	21	5
25	23	25	21	2	80	26	32	21	5
32	24	27	21	3	100	27	33	21	6
40	25	29	21	4					

Differential pressures with zero flow for standard and high temperature springs.

→ Flow direction

Kv VALUES IN m3/h			
DN	Kv	DN	Kv
15	2	80	83
20	7	100	127
25	13	125	183
32	17	150	258
40	23	200	410
50	48	250	698
65	55	300	732