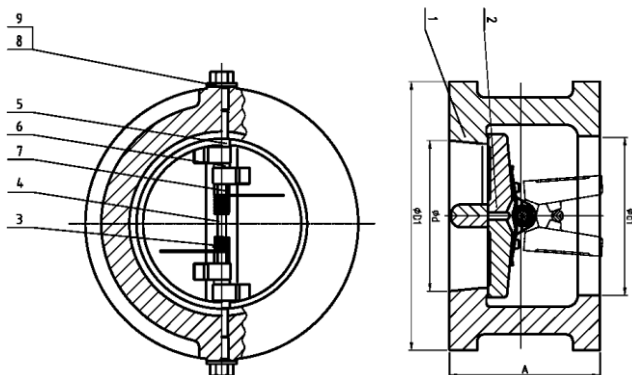


**API 594**





| BASIC DESIGN STANDARDS |             |
|------------------------|-------------|
| Basic Design           | API 594     |
| Face to Face           | API 594     |
| Flanges up to 24"      | ANSI B16.5  |
| Flanges from to 26"    | ANSI B16.47 |
| Testing                | API 598     |

| Item | Description          | Carbon Steel  |               | Stainless Steel |
|------|----------------------|---------------|---------------|-----------------|
|      |                      | WCB           | LCB           | CF8M            |
| 1    | Body                 | WCB + 13% Cr  | LCB + 316     | A351 CF8M       |
| 2    | Disc                 | A217 Ca15     | LCB + 316     | A351 CF8M       |
| 3    | Spring               | Inconel       |               |                 |
| 4    | Hinge Pin            | ASTM A182F6   | ASTM A182F316 | ASTM A182F316   |
| 5    | End retainer ring    | ASTM A276 410 | ASTM A276 316 | ASTM A276 316   |
| 6    | Middle retainer ring | ASTM A276 410 | ASTM A276 316 | ASTM A276 316   |
| 7    | Spring retainer      | ASTM A182F6   | ASTM A182F316 | ASTM A182F316   |
| 8    | Washer               | ASTM A276 410 | ASTM A276 316 | ASTM A276 316   |
| 9    | Screw                | ASTM A276 410 | ASTM A276 316 | ASTM A276 316   |

| SIZE         | 150 lbs |      |     | 300 lbs |      |      | 600 lbs |      |      | 900 lbs |     |      | 1500 lbs |     |      |
|--------------|---------|------|-----|---------|------|------|---------|------|------|---------|-----|------|----------|-----|------|
|              | A       | D1   | Kg  | A       | D1   | Kg   | A       | D1   | Kg   | A       | D1  | Kg   | A        | D1  | Kg   |
| 2" (DN 50)   | 60      | 103  | 3,2 | 60      | 111  | 3,2  | 60      | 111  | 3,2  | 70      | 143 | 8,2  | 70       | 143 | 8,2  |
| 2½" (DN 65)  | 67      | 122  | 3,6 | 67      | 128  | 4    | 67      | 128  | 5    | 83      | 162 | 11   | 83       | 162 | 11   |
| 3" (DN 80)   | 73      | 136  | 6,4 | 73      | 149  | 7,7  | 73      | 149  | 7,7  | 83      | 168 | 11,8 | 83       | 175 | 12,7 |
| 4" (DN 100)  | 73      | 175  | 9,5 | 73      | 181  | 10,5 | 79      | 194  | 12,7 | 102     | 206 | 19,1 | 102      | 210 | 20,5 |
| 6" (DN 150)  | 98      | 220  | 16  | 98      | 251  | 20   | 136     | 267  | 36   | 159     | 289 | 54   | 159      | 283 | 56   |
| 8" (DN 200)  | 127     | 277  | 36  | 127     | 308  | 40   | 165     | 321  | 72   | 206     | 359 | 122  | 206      | 352 | 128  |
| 10" (DN 250) | 146     | 340  | 52  | 146     | 362  | 56   | 213     | 400  | 118  | 248     | 435 | 196  | 248      | 435 | 205  |
| 12" (DN 300) | 181     | 408  | 97  | 181     | 422  | 98   | 229     | 458  | 164  | 305     | 498 | 293  | 305      | 521 | 373  |
| 14" (DN 350) | 184     | 451  | 123 | 222     | 485  | 176  | 273     | 492  | 186  | 356     | 521 | 396  | 356      | 578 | 484  |
| 16" (DN 400) | 191     | 515  | 133 | 232     | 540  | 210  | 305     | 565  | 330  | 384     | 575 | 532  | 384      | 641 | 588  |
| 18" (DN 450) | 203     | 549  | 141 | 264     | 597  | 295  | 362     | 613  | 394  | 468     | 638 | 611  | 468      | 705 | 791  |
| 20" (DN 500) | 219     | 603  | 215 | 292     | 654  | 365  | 368     | 683  | 544  | 533     | 699 | 637  | 533      | 756 | 1275 |
| 24" (DN 600) | 222     | 717  | 358 | 318     | 774  | 520  | 438     | 791  | 820  | 559     | 838 | 1230 | 559      | 902 | 2713 |
| 30" (DN 750) | 305     | 883  | 662 | 368     | 953  | 950  | 505     | 972  | 1578 | -       | -   | -    | -        | -   | -    |
| 32" (DN 800) | 318     | 940  | 685 | 394     | 1006 | 1270 | 559     | 1022 | 1743 | -       | -   | -    | -        | -   | -    |
| 36" (DN 900) | 368     | 1048 | 710 | 483     | 1118 | 1635 | 635     | 1130 | 2120 | -       | -   | -    | -        | -   | -    |