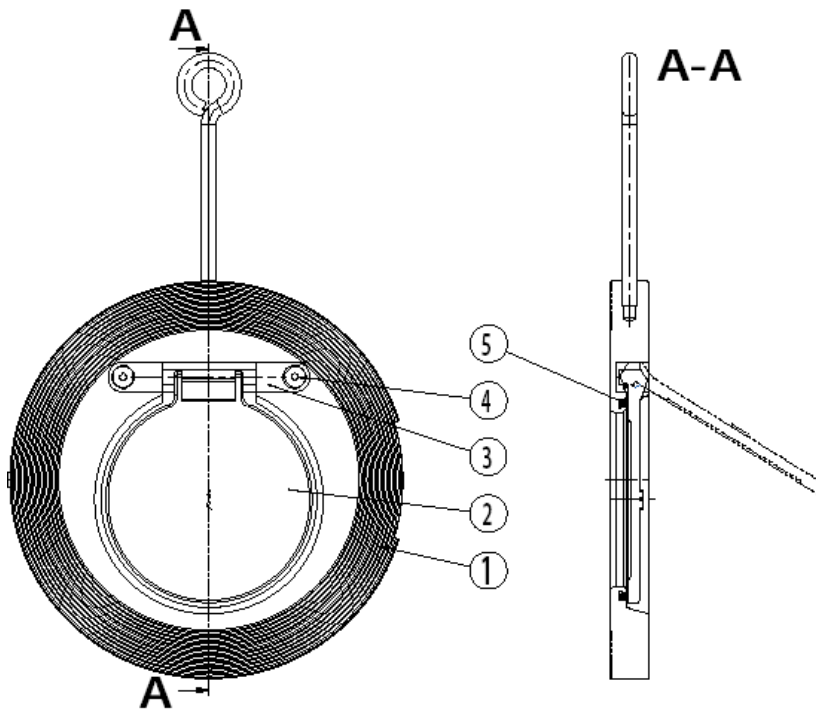
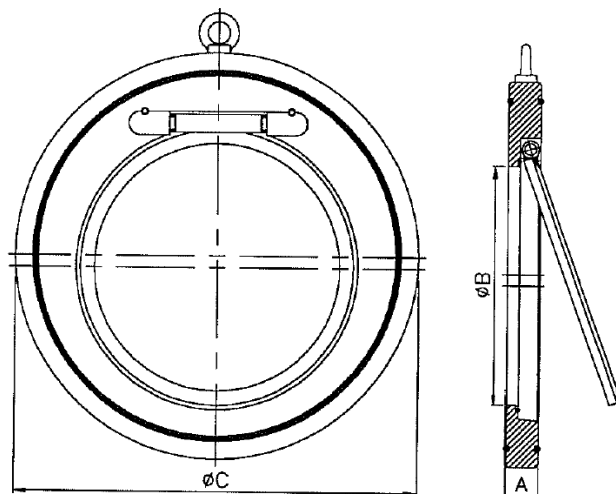




Designatio	Materiaux
Body	Zinc Plated Carbon steel, SS 316 (L), Aluminum Bronze, Bronze.
Disc	Zinc Plated Carbon steel, SS 316 (L), Aluminum Bronze, Bronze.
Axe	AISI304, 316, Bronze/Al
Screw	AISI304, 316, Bronze/Al
Seal	EPDM, NBR, VITON, PTFE, metal/metal



## Dimensions



DN	A	B	PN 10	PN 16	PN 25	PN 40	PN 64	150	300
DN	A	B	C	C	C	C	C	C	C
1.1/4" (32)	15	16	84	85	85	85		74	85,9
1.1/2" (40)	16	21	94	95	95	95	106	83	98,6
2" (50)	14	32	109	109	109	109	115	105	114,4
2.1/2" (65)	14	40	129	129	129	129	140	124	133,7
3" (80)	14	51	144	144	144	144	150	137	152,4
4" (100)	18	70	164	164	170	170	176	175	184,5
5" (125)	18	86	195	195	196	196	214	197	219,3
6" (150)	20	105	220	220	226	226	251	222	254
8" (200)	22	148	275	275	286	294	313	279	311,2
10" (250)	26	181	330	331	344	356	368	340	365
12" (300)	32	234	380	386	404	421	428	410	245,6
14" (350)	38	280	440	446	461	478	490	451	489
16" (400)	44	310	491	499	518	550	547	514	543,1
18" (450)	52	365	541	558	567			549	600,3
20" (500)	58	410	596	621	628	632		606	657,4
24" (600)	62	485	698	738	735			718	777,7

(\*) Dimensions in mm and weight in kg  
For other sizes consult to the technical department.

DESIGN FEATURES
Light- weighted and compact design
Low pressure drops
Nominal Pressure (PN) 150/300/600 lbs -(PN16-PN25-PN40-PN100)
Temperature range: -10°C to 300°C It depends of seat (300°C metal to metal)
Head loss lower than that of most any other check valve made.
Options: hydraulic shock absorber and counter weight.
Direction of flow: only one direction
Opening pressure: 13 mbar (up 150 mm 6") 15 mbar (from 200 mm 8")
Quality certificates acc DIN EN 10204 2.2 and under request DIN EN 10204 3.1

### Other Check valves

